

SNOWPLOW

Manufactured by: **BOSS Products**
A Div. of Northern Star Industries, Inc.

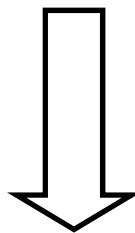
906-774-0440
800-286-4155
906-779-4218 (FAX)

P.O. Box 787
Iron Mountain, MI 49801-0788
E-Mail: sales@bossplow.com
Web Site: www.bossplow.com

SNOW DEFLECTOR INSTALLATION INSTRUCTIONS MSC17611

MSC17611 Deflector Components.....Page 1

Follow the instructions that correspond to your plow.



10' Power-V & DXT Blade Assembly Instructions.....Page 2

10' Straight Blade Assembly Instructions.....Page 5

BOSS Products / Northern Star Industries, Inc. reserves the right under its continuous product improvement policy to change construction or design details and furnish equipment when so altered without reference to illustrations or specifications used herein.

MSC17611 Snow Deflector Components

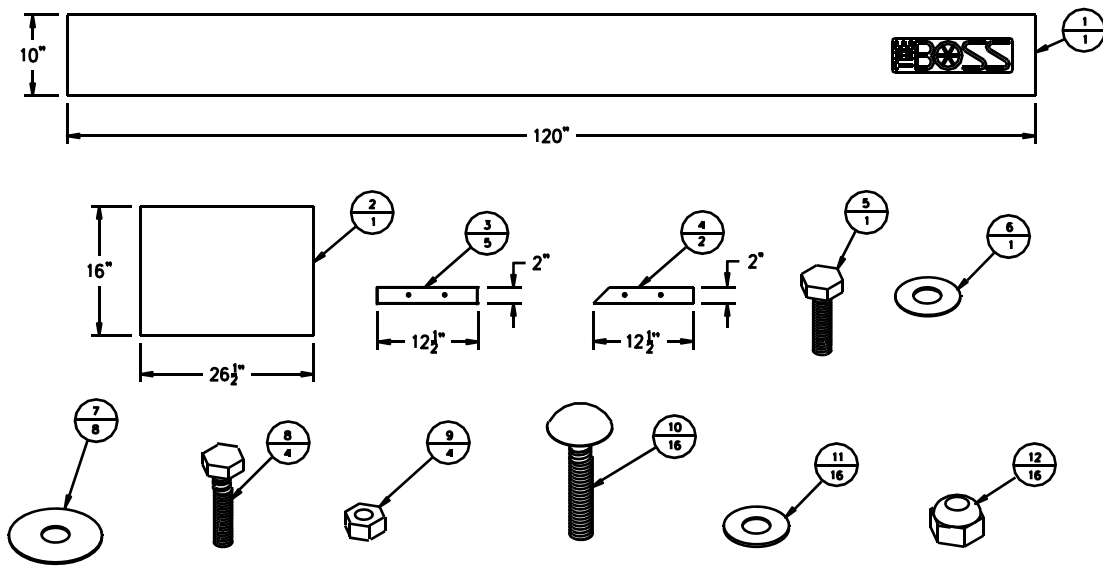


Figure 1. MSC17611 Snow Deflector Fastener Kit Contents

G10015

ITEM #	QUANTITY	PART #	DESCRIPTION
1	1	MSC04058	BELTING 120" X 10"
2	1	MSC17613	BELTING, CENTER 19" X 26-1/2"
3	6	MSC04931	STRAP, SNOWFOIL, 2 HOLE
4	2	MSC04932	STRAP, SNOWFOIL, 2 HOLE W/45° ANGLE
5	1	HDW01728	1/2"-13 X 1-1/2" HEX HEAD BOLT
6	1	HDW01729	1/2" FLAT WASHER
7	8	HDW05598	5/16" X 1-1/4" FENDER WASHER
8	4	HDW05571	1/4"-20 X 1-1/4" HEX HEAD BOLT
9	4	HDW01725	1/4"-20 NYLON LOCK NUT
10	16	HDW02055	5/16"-18 X 1-3/4" CARRIAGE BOLT
11	16	HDW06967	5/16" FLAT WASHER
12	16	HDW01714	5/16"-18 NYLON LOCK NUT

Snow Deflector Assembly Instructions for 10' Power-V and DXT

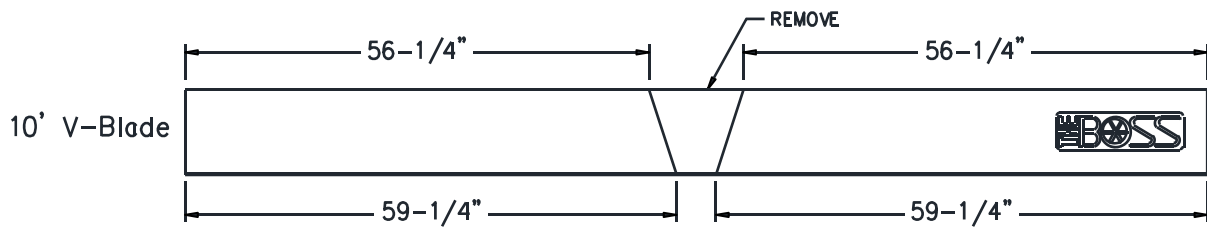


Figure 2. Belting Cut Length

G10816

1. Cut MSC04058 Belting (1) into two pieces. Use the dimensions specified in Figure 2.

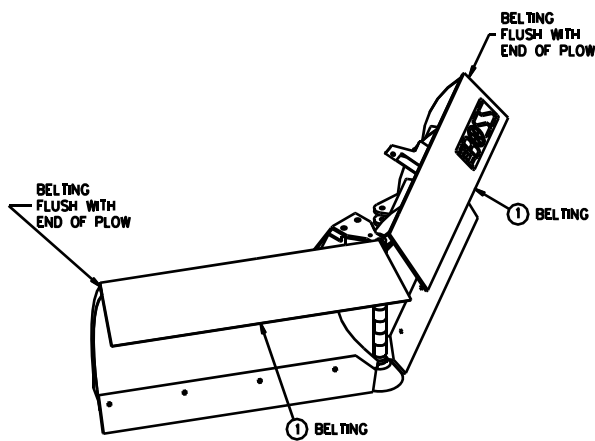


Figure 3. Clamping Orientation

G10018

2. Clamp the two pieces of Belting (1) to the Plow as shown in Figure 3. The factory cut edges of Belting (1) must be flush with the outside edges of the Plow Blades.

Note: Vise-Grip® clamps work well when clamping Belting (1) to the Plow Blades.

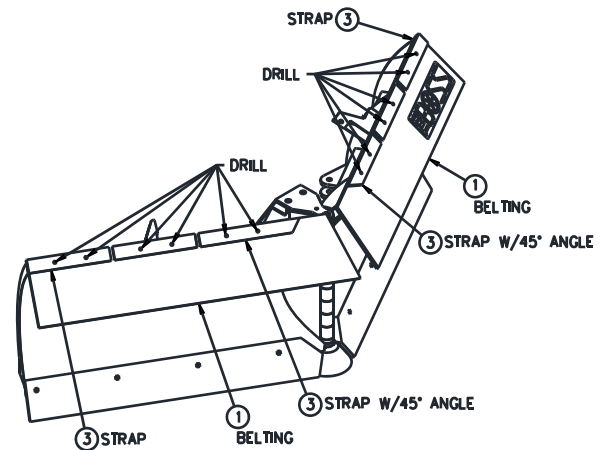


Figure 4. Drilling Locations

G10020

Note: If installing this Snow Deflector on a Plow that does not have pre-punched holes in the Blade Skin it is required that the Blade Skin be drilled. Use Straps (3 & 4) as a reference when drilling the holes. Refer to Figure 6 for the correct Strap (3 & 4) orientation. Space between Straps (3 & 4) will differ depending on type of Plow.

3. Using the holes in the Blade Skin as a guide, mark and drill through Belting (1) using a 3/8" drill bit. See Figure 4.
4. Place Straps (3) and Straps w/45° Angle (4) on top of Belting (1). The Straps w/45° Angle (4) must be placed closest to the center of the Plow as shown in Figure 6.

Snow Deflector Assembly Instructions for 10' Power-V and DXT

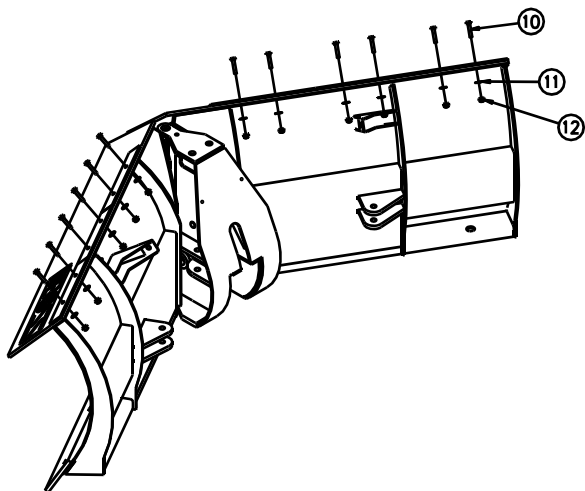


Figure 5. Snow Deflector Assembly Procedure G10021

- Attach Belting (1), Straps (3), and Straps w/45° Angle (4) to the Plow using 5/16" Carriage Bolts (10), 5/16" Flat Washers (11), and 5/16" Nylon Lock Nuts (12).

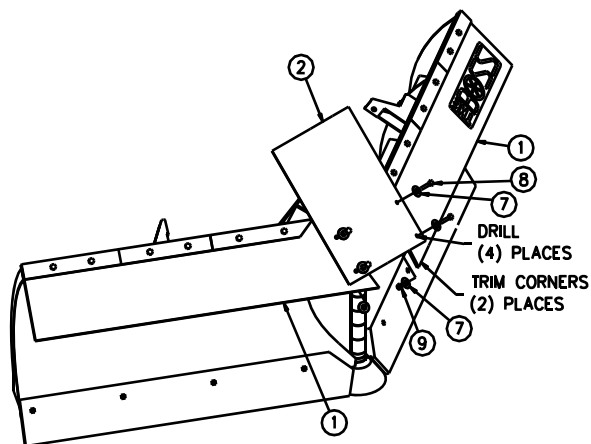


Figure 6. Center Flap Installation G10022

Note: The Plow must be in the V-Position, as shown in Figure 6, for the installation of Center Belting (2).

- Align and clamp Center Belting (2) as follows:
 - Center the Center Belting (2) to allow an equal amount of overlap on each half of Belting (1).

- Position Center Belting (2) so that the 16" width is horizontal and the 26-1/2" length is vertical. See Figure 6.
 - Position the front corners of Center Belting (2) up approximately 1-1/2" from the front edge of Belting (1).
- With Center Belting (2) clamped in place, drill two 3/8" diameter holes through each side of Center Belting (2) up approximately 1-1/2" from the front edge of Belting (1).
 - Attach Center Belting (2) to Belting (1) using four 1/4" Hex Head Bolts (6), eight 5/16" Fender Washers (5), and four 1/4" Nylon Lock Nuts (7).
 - Trim the corners of Belting (1) to be flush with the bottom of Center Belting (2). See Figure 6.

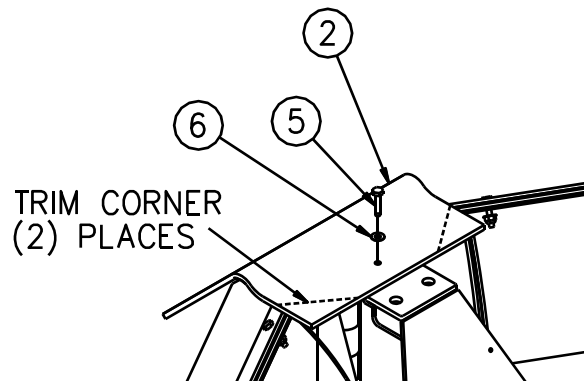


Figure 7. Center Flap Installation G10023

- Fold Center Belting (2) over the top of the Plow as shown in Figure 7.
- Drill a hole through Center Belting (2) that is centered and 1-1/2" from the back edge of Center Belting (2). See Figure 7.

Note: If installing Center Belting (2) on a Center Section that does not have a threaded hole, it is required that a hole be drilled and tapped for a 1/2"-13 Hex Head Bolt. The drilled and tapped hole should be located 1-1/2" rearward from the Vertical Hinge Pin bolt hole.

Snow Deflector Assembly Instructions for 10' Power-V and DXT

12. Using one 1/2" Hex Head Bolt (5) and one 1/2" Flat Washer (6), attach Center Belting (2) to the top of Center Section by utilizing the threaded hole that is located behind the Vertical Hinge Pin.
13. Remove any excess material from the lower back of Center Belting (2) so that it does not interfere with the Plow operation. See Figure 7.

Snow Deflector Assembly Instructions for 10' Straight Blade

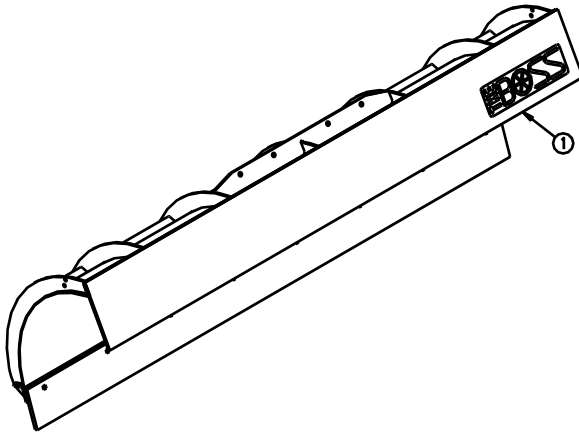


Figure 8. Clamping Orientation

G10038

1. Clamp Belting (1) to the top edge of the Plow Blade as shown in Figure 8.

Note: Vise-Grip® clamps work well when clamping Belting (1) to the Plow Blade.

Note: If installing Snow Deflector on a Plow that does not have pre-punched holes in the blade skin it is required that the Blade Skin be drilled. Use Straps (3 & 4) as reference when drilling the holes. Refer to Figure 10 for the correct Strap (3 & 4) orientation.

2. Using the holes in the Blade Skin as a guide, mark and drill through Belting (1) using a 3/8" drill bit.

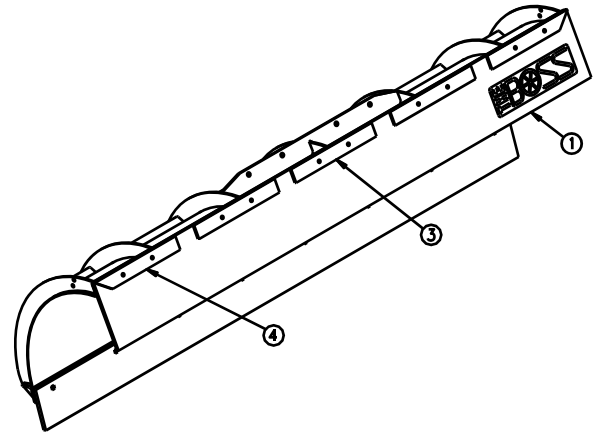


Figure 9. Strap Orientation

G10761

3. Place Straps (3) and Straps w/45° Angle (4) on top of Belting (1). The Straps w/45° Angle (4) must be placed on the outer edges of the Plow Blade. See Figure 9.

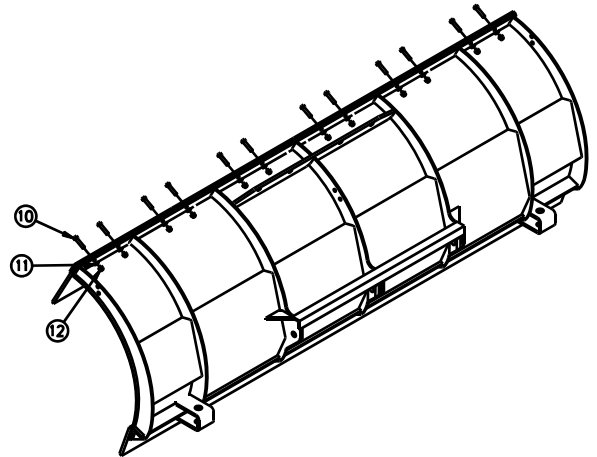


Figure 10. Snow Deflector Assembly Procedure

G10817

4. Attach Belting (1) and Straps (3 & 4) to the Plow Blade using 5/16" Carriage Bolts (10), 5/16" Flat Washers (11), and 5/16" Nylon Lock Nuts (12).