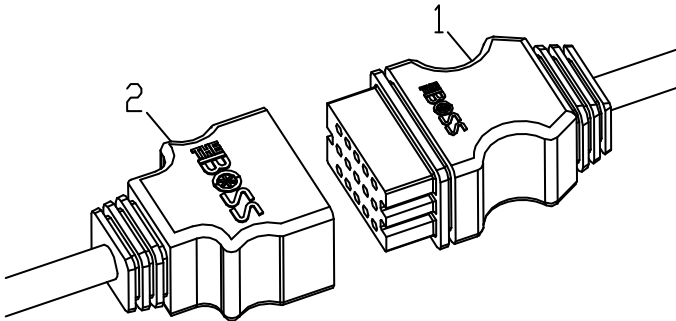
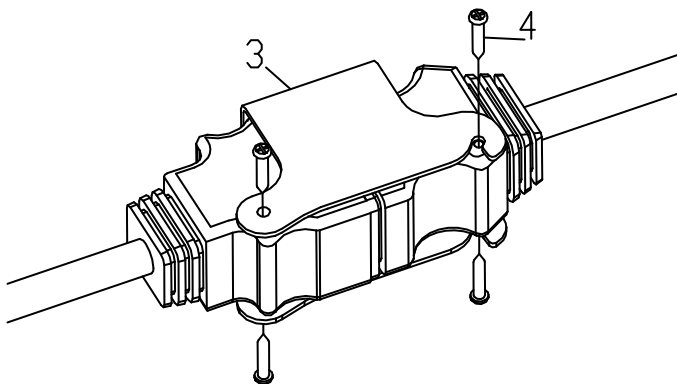


## MSC16185 Plug Lock Instructions



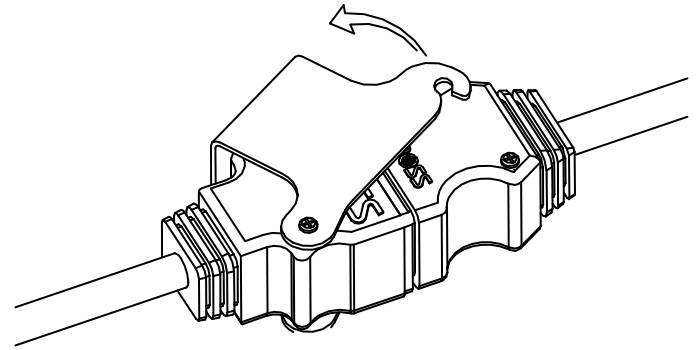
**Figure 1.** Engage vehicle and truck side Plugs G10660

1. Locate Vehicle (1) and Plow side (2) Control Harness plugs and plug them together making sure they are fully engaged.



**Figure 2.** Place Bracket and Screws G10661

2. Center Plug Lock (3) over Control Plugs with the hook side on the Vehicle control plug. Position Plug Lock so holes are over bump outs in plug ends. Using #6 Screws (4) install Plug Lock.



**Figure 3.** Removing Plow G10662

3. To unhook plow follow instructions on plow. To unhook Plug Lock grasp and rotate until loose.

**NOTE:** Protect bumper from contact with Plug Lock to avoid bumper damage.