



P.O. Box 787 Iron Mountain, MI 49801-0787  
ISO 9001:2008 REGISTERED  
bossplow.com

**2014 & NEWER  
ARCTIC CAT XR 700/550/500  
ATV UNDERCARRIAGE  
MOUNTING INSTRUCTIONS  
(PART NO. LTA14099)**

# **WARNING**

Always follow the vehicle manufacturers' recommendations relating to system installation.

Due to the variety of equipment that can be installed on this vehicle, it is necessary to verify that the Gross Vehicle Weight Rating (GVWR) is not exceeded at any time. This may require weighing the vehicle and adding ballast as necessary. It may also limit payload capacity of the vehicle. It is the operator's responsibility to verify that these ratings are not exceeded.

## **2014 & NEWER ARCTIC CAT XR 700/550/500 ATV UNDERCARRIAGE MOUNTING INSTRUCTIONS**

The mounting procedure outlined below covers 2014 & Newer Arctic Cat XR 700/550/500 models. You will need to refer to the illustrations and familiarize yourself with each of the undercarriage components and their relative position to each other. Then proceed as follows:

1. Remove vehicle front plastic/head light assembly and the front of the plastic skid plate.
2. Drill out the two existing rear holes in the vehicle frame at Nut Plate Assembly (2) location to 7/16".
3. Place Nut Plate Assembly (2) on the top side of vehicle frame.
4. Using two 3/8"-16 x 1-1/4" ID x 2-1/4" U-Bolts (A), and four 3/8"-16 Nylon Lock Nuts (B), position and loosely attach Skid Plate Assembly (1) to vehicle frame.
5. Using four 3/8"-16 x 1" ID x 2-1/4" U-Bolts (C), and eight 3/8"-16 Nylon Lock Nuts (B), continue attaching front of Skid Plate Assembly (1) to vehicle frame. Leave fasteners loosely attached at this time.
6. Align rear mounting holes of Skid Plate Assembly (1) with the previously drilled holes 7/16" in the vehicle frame and the Nut Plate Assembly (2).
7. Using two 3/8"-16 x 1-1/4" bolts (D) and two 3/8" Split Lock Washers (E) attach rear of Skid Plate Assembly (1) to vehicle frame.
8. Tighten all fasteners to recommended torque found in Figure 2.
9. Re-install vehicle front plastic/head light assembly and plastic skid plate using existing hardware. Trim where needed.

## 2014 & NEWER ARCTIC CAT XR 700/550/500 ATV UNDERCARRIAGE INSTALLATION PROCEDURE

REF. NO.	DESCRIPTION	PART NO.	QTY.
1	Skid Plate Assembly	LTA14101	1
2	Nut Plate Assembly	LTA14104	1
	Fastener Kit	HDW14102	1
Includes:			
A	3/8"-16 x 1-1/4" ID x 2-1/4" U-Bolt	HDW13649	2
B	3/8"-16 Nylon Lock Nut	HDW01720	12
C	3/8"-16 x 1" ID x 2-1/4" U-Bolt	HDW13584	4
D	3/8"-16 x 1-1/4" GR8 Hex Head Bolt	HDW14113	2
E	3/8" Split Lock Washer	HDW01718	2

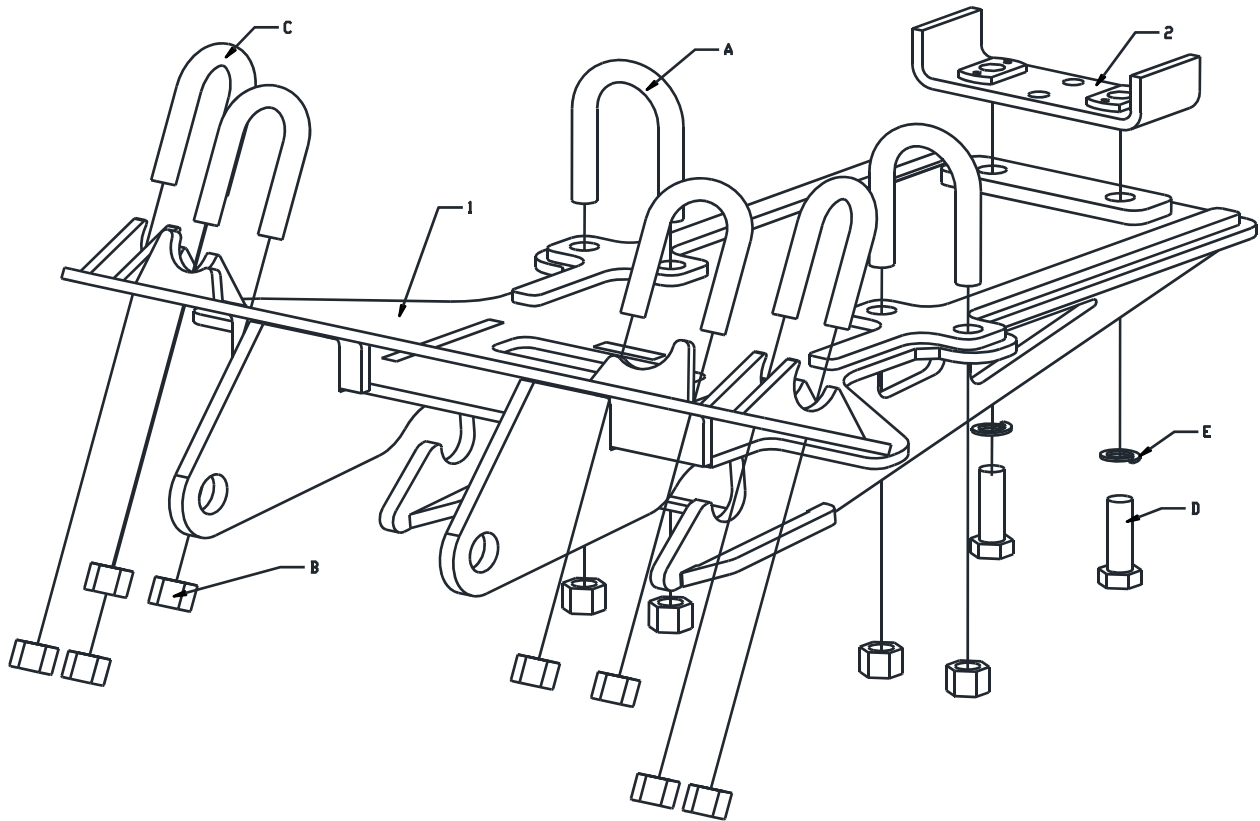


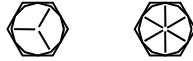
Figure 1

G10928

## RECOMMENDED SUSPENSION SETTINGS

- A heavy-duty front spring kit is recommended for plow installation on this vehicle. See manufacturers' specifications.

### GUIDE TO RECOMMENDED ASSEMBLY TORQUE



DIAMETER / PITCH	GRADE 5	GRADE 8	GRADE 8.8	GRADE 10.9
1/4-20	6	9		
5/16-18	14	19		
3/8-16	23	33		
7/16-14	38	53		
1/2-13	56	80		
9/16-12	82	116		
5/8-11	113	159		
3/4-10	201	283		
M10 X 1.25			36	
M10 X 1.5				49
M12 X 1.75				71
M14 X 2.0				80

ALL TORQUE VALUES ARE IN FOOT-POUNDS (FT.-LB.)

**Figure 2**

G10410

\* The torque values listed above are based on dry, coated bolts. Variables such as oil or other lubrications may appreciably alter these values and must be taken into consideration.

**NOTE:** IT IS IMPORTANT THAT ALL FASTENERS BE PROPERLY TORQUED TO ASSURE A SAFE OPERATING PLOW. RE-TIGHTEN ALL FASTENERS AFTER 2 HOURS OF PLOWING.