



BOSS PRODUCTS  
A Division of Northern Star Industries, Inc.  
P.O. Box 787 Iron Mountain MI 49801-0787  
[www.bossplow.com](http://www.bossplow.com)

**2012 & NEWER  
YAMAHA GRIZZLY 550/700  
ATV UNDERCARRIAGE  
MOUNTING INSTRUCTIONS  
(PART NO. LTA13575)**

# **WARNING**

Always follow the vehicle manufacturers' recommendations relating to system installation.

Due to the variety of equipment that can be installed on this vehicle, it is necessary to verify that the Gross Vehicle Weight Rating (GVWR) is not exceeded at any time. This may require weighing the vehicle and adding ballast as necessary. It may also limit payload capacity of the vehicle. It is the operator's responsibility to verify that these ratings are not exceeded.

## **2012 & NEWER YAMAHA GRIZZLY 550/700 ATV UNDERCARRIAGE MOUNTING INSTRUCTIONS**

The mounting procedure outlined below covers 2012 & Newer Yamaha Grizzly 550 & 700 models. You will need to refer to the illustrations and familiarize yourself with each of the undercarriage components and their relative position to each other. Then proceed as follows:

1. Remove four bolts from vehicle front plastic cover.
2. Remove five remaining bolts from vehicle middle plastic cover.
3. Zip-tie rear plastic cover to frame to secure in place.
4. Attach Front Assembly (1) to vehicle frame using two 3/8"-16 X 1"ID X 2-1/4" U-Bolts (C) and four 3/8"-16 Nylon Lock Nuts (D) around vertical frame tube below winch mount location. Install one 3/8"-16 X 1-1/4"ID X 2-1/4" U-Bolt (A) and two 3/8"-16 Nylon Lock Nuts (D) around horizontal frame tube. Tighten fasteners to recommended torque found in Figure 2.
5. Position Rear Assembly (2) under frame and loosely attach to Front Assembly (1) using four 3/8"-16 X 1-1/4" Carriage Bolts (B) and 3/8"-16 Nylon Lock Nuts (D). Fasteners should be finger tight. See Figure 1 for attachment configuration.
6. Attach Rear Assembly to frame using four 3/8"-16 X 1-1/4"ID X 2-1/4" U-Bolts (A) and eight 3/8"-16 Nylon Lock Nuts (D). Finger tighten only at this time.
7. Tighten four 3/8"-16 X 1-1/4" Carriage Bolts (B), and 3/8"-16 Nylon Lock Nuts (D) to recommended torque found in Figure 2.
8. Tighten remaining fasteners to torque found in Figure 2.

## 2012 & NEWER YAMAHA GRIZZLY 550/700 ATV UNDERCARRIAGE INSTALLATION PROCEDURE

REF. NO.	DESCRIPTION	PART NO.	QTY.
1	Front Assembly, Grizzly 550/700 12+	LTA13576	1
2	Rear Assembly, Grizzly 550/700 12+	LTA13577	1
	Hardware Kit, UC, Grizzly 550/700 12+	HDW13583	1
Includes:			
A	3/8"-16 X 1-1/4"IDX2-1/4" U-Bolt	HDW13649	5
B	3/8"-16 X 1-1/4" Carriage Bolt	HDW05576	4
C	3/8"-16 X 1"IDX2-1/4" U-Bolt	HDW13584	2
D	3/8"-16 Nylon Lock Nut	HDW01720	18

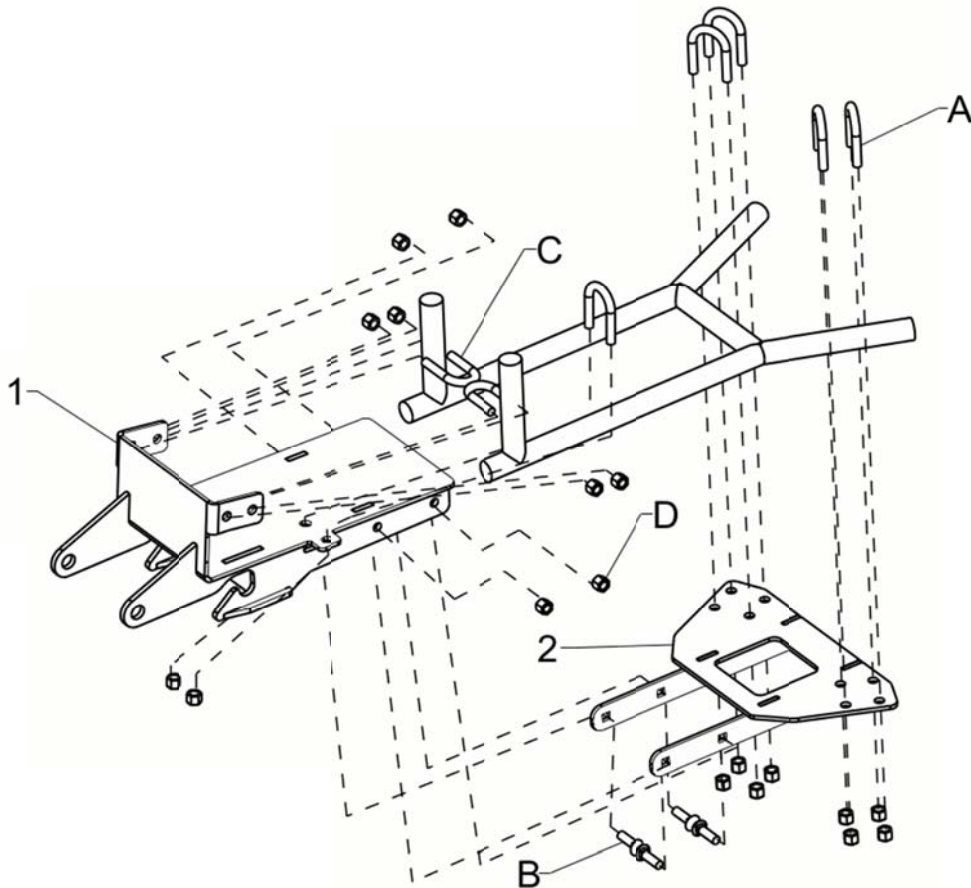


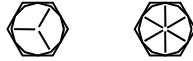
Figure 1

G10800

## RECOMMENDED SUSPENSION SETTINGS

- Increase preload of front springs to highest setting. See manufacturer's specifications for proper adjustment procedure.

### GUIDE TO RECOMMENDED ASSEMBLY TORQUE



DIAMETER / PITCH	GRADE 5	GRADE 8	GRADE 8.8	GRADE 10.9
1/4-20	6	9		
5/16-18	14	19		
3/8-16	23	33		
7/16-14	38	53		
1/2-13	56	80		
9/16-12	82	116		
5/8-11	113	159		
3/4-10	201	283		
M10 X 1.25			36	
M10 X 1.5				49
M12 X 1.75				71
M14 X 2.0				80

ALL TORQUE VALUES ARE IN FOOT-POUNDS (FT.-LB.)

**Figure 2**

G10410

\* The torque values listed above are based on dry, coated bolts, variables such as oil, or other lubrications may appreciably alter these values and must be taken into consideration.

**NOTE:** IT IS IMPORTANT THAT ALL FASTENERS BE PROPERLY TORQUED TO ASSURE A SAFE OPERATING PLOW. RE-TIGHTEN ALL FASTENERS AFTER 2 HOURS OF PLOWING.