

BOSS PRODUCTS
A Division of Northern Star Industries, Inc.
P.O. Box 787 Iron Mountain MI 49801-0787
www.bosspow.com

**2007 & NEWER TOYOTA TUNDRA
RT3 UNDERCARRIAGE
MOUNTING INSTRUCTIONS
(PART NO. LTA05680)**

WARNING

Many newer trucks are now equipped with air bags. DO NOT under any circumstances disable, remove or relocate any sensors or other components related to the operation of the air bags.

For recommended vehicle models refer to the Boss Snowplow Application Chart and Selection Guide.

To comply with Federal Regulations and to assure a safe vehicle, the Front Gross Axle Weight Rating (FGAWR), Rear Gross Axle Weight Rating (RGAWR), and the Gross Vehicle Weight Rating (GAWR) must not be exceeded at any time.

Due to the variety of equipment that can be installed on this vehicle, it is necessary to verify that the Front Gross Axle Weight Rating (FGAWR), Rear Gross Axle Weight Rating (RGAWR), and the Gross Vehicle Weight Rating (GAWR) are not exceeded at any time. This may require weighing the vehicle and adding ballast as necessary. It may also limit payload capacity of the vehicle. It is the operator's responsibility to verify that these ratings are not exceeded.

2007 & NEWER TOYOTA TUNDRA RT3 UNDERCARRIAGE MOUNTING INSTRUCTIONS

The mounting procedure outlined below covers the 2007 and Newer Toyota Tundra trucks. You will need to refer to the illustrations and familiarize yourself with each of the undercarriage components and their relative position to each other. Then proceed as follows:

1. Begin by removing the bolts holding the skid plate to the bottom of the frame and the rear cross member. Remove the skid plate. Do not discard the skid plate or bolts so that they can be reinstalled if the undercarriage is removed.
2. Remove the two bolts from both tow hooks. Remove both tow hooks. Retain the bolts as they will be reinstalled further into the installation procedure. Do not discard the tow hooks so that they can be reinstalled if the undercarriage is removed.
3. Remove the three bumper mount nuts located on the front end of the driver side frame rail. Retain the nuts as they will be reinstalled further into the installation procedure.
4. Place Driver Side Push Beam Support Plate (62B) against the bottom of the driver side truck tow hook mount and against the outside of the driver side frame rail. The front tab of Push Beam Support Plate (62B) must clear the bumper mount studs on the front end of the truck frame.
5. Slide Driver Side Push Beam Support Plate (62B) backward until the three bumper mount studs on the end of the truck frame fully engage the three holes located on Driver Side Push Beam Support Plate (62B).
6. Reinstall the three bumper mount nuts that were removed in step 3. Fasteners should only be finger tight.
7. Assemble Driver Side Push Beam Support Plate (62B) to the tow hook mount using the two bolts removed in step 2. Fasteners should only be finger tight.

8. Using Bolt Puller (102) insert one ½" X 1-½" Hex Head Bolt (A) through the hole located on the outside of the driver side frame rail and through the hole located in Driver Side Push Beam Support Plate (62B). Secure with one ½" Split Lock Washer (D) and one ½" Hex Head Full Nut (C). Fasteners should only be finger tight.
9. Tighten the truck tow hook bolts. The heads of these bolts will not be accessible once Push Beam (62) is installed.
10. Repeat steps 3-9 for Passenger Side Push Beam Support Plate (62A).
11. Slide three Nut Plates (101) through the truck cross member. Align Nut Plates (101) with the front side of the two large outside holes and large center hole.
12. Place Angle Bracket (75) against the bottom of the truck cross member. Secure with three ½" X 1-½" Hex Head Bolts (A) and three ½" Split Lock Washers (D) and Nut Plates (101) previously installed inside the truck cross member. Fasteners should only be finger tight.
13. Install Push Beam (62) between Passenger Side and Driver Side Push Beam Support Plates (62A & 62B) using eight ½" X 1-½" Hex Head Bolts (A) and eight ½" Nylon Lock Nuts (B). Push Beam (62) should be mounted at a height of 14-½" from the ground to the center of the hook hole. Fasteners should only be finger tight.
14. Assemble Angle Bracket (75) to Push Beam (62) using four ½" X 1-½" Hex Head Bolts (A) and four ½" Nylon Lock Nuts (B). Fasteners should only be finger tight.
15. Tighten all fasteners, starting with Angle Bracket (75) and continuing forward.
16. With all undercarriage parts in place, securely fasten all mounting hardware. It is important that all fasteners be properly torqued (see Fig. 3) to assure a safe operating plow. Re-tighten all fasteners after 2 hours of plowing.

Installation Notes:

- A. Use Headlight Adapter Kit MSC05665.
- B. Check for hood swing clearance with the plow attached to the truck. The grill is attached to the hood on the 2007 and Newer Toyota Tundra which can cause interference between the grill and the plow lights/light bar. If there is interference, move the light bar to the forward mounting position. See owner's manual for further details.

2007 & NEWER TOYOTA TUNDRA RT3 UNDERCARRIAGE INSTALLATION PROCEDURE

REF. NO.	DESCRIPTION	PART NO.	QTY.
62	Push Beam Assembly, RT3	PBA05685	1
62A	Push Beam Support Plate, Passenger Side	PBA05672	1
62B	Push Beam Support Plate, Driver Side	PBA05671	1
75	Angle Bracket	LTA05681	1
101	1/2" - 13 Nut Plate	LTA05413	3
102	1/2" - 13 Bolt Puller	MSC09670	2
	FASTENER KIT, TUNDRA, 2007 & UP	HDW05668	1
Includes:			
A	1/2" - 13 x 1- 1/2" Hex Head Bolt	HDW01728	17
B	1/2" - 13 Hex Head Lock Nut	HDW01748	12
C	1/2" - 13 Hex Head Full Nut	HDW02410	2
D	1/2" Split Lock Washer	HDW01732	5

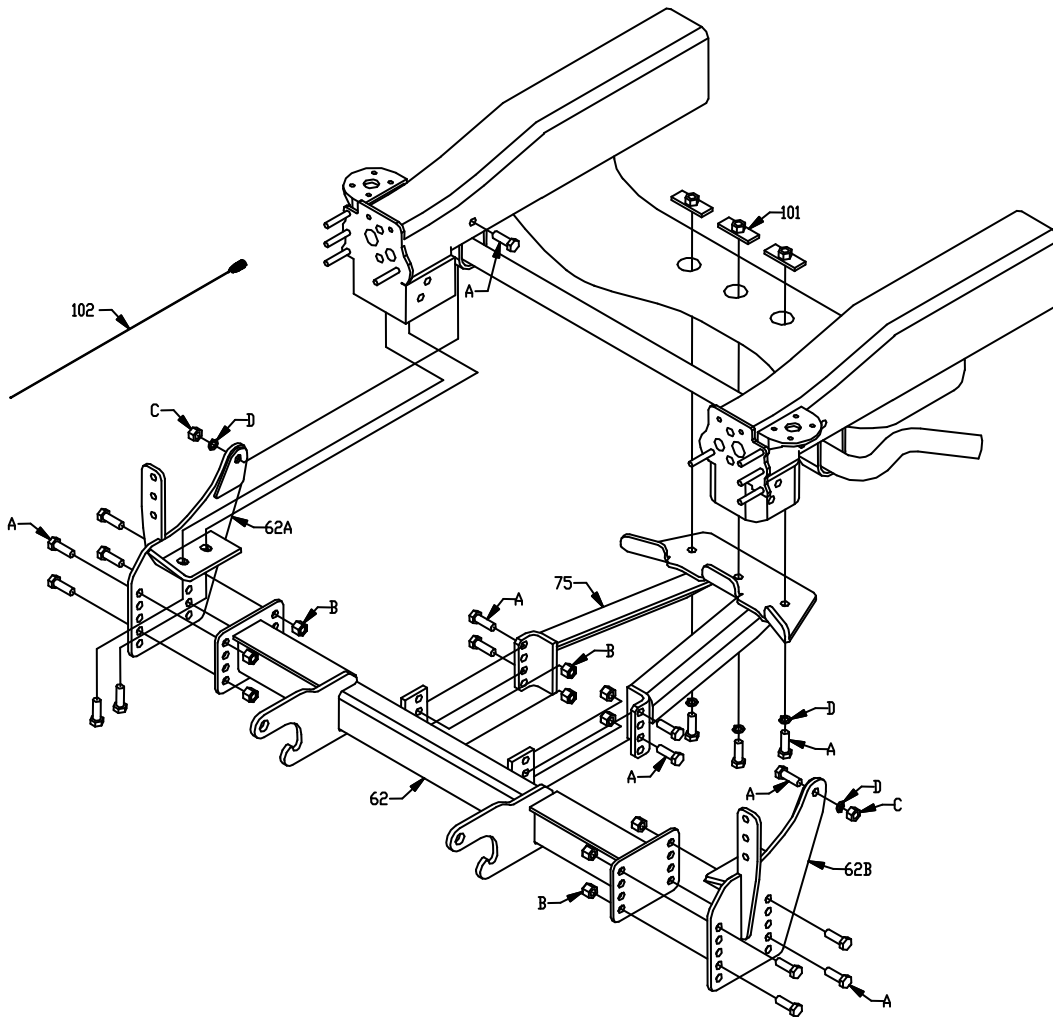


Figure 1

G10511

RECOMMENDED PUSHBEAM HEIGHT

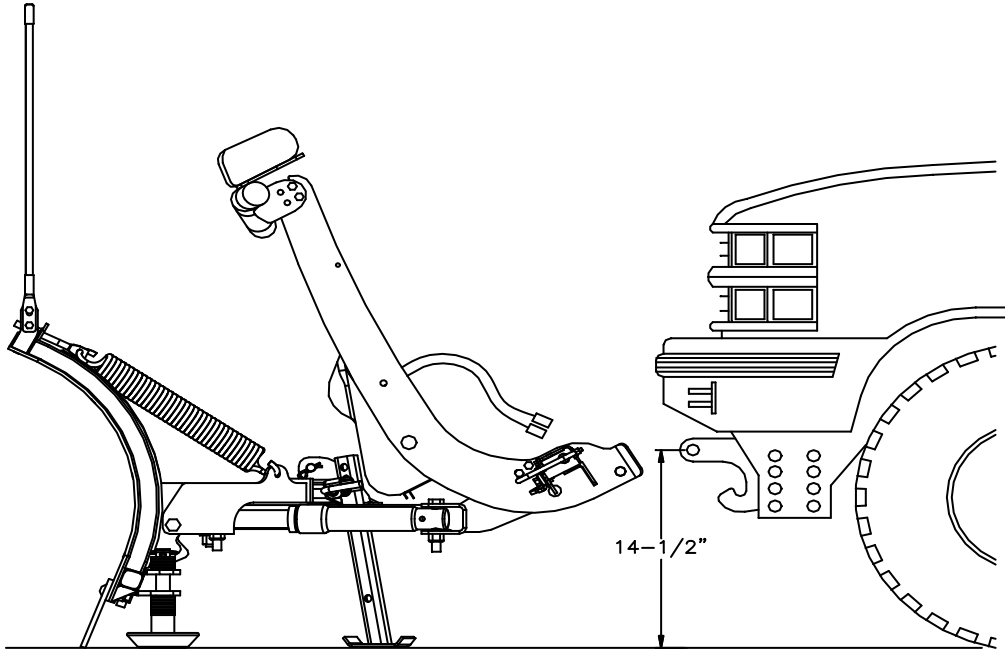


Figure 2

G10299

GUIDE TO RECOMMENDED ASSEMBLY TORQUE



DIAMETER / PITCH	GRADE 5	GRADE 8	GRADE 8.8	GRADE 10.9
1/4-20	6	9		
5/16-18	14	19		
3/8-16	23	33		
7/16-14	38	53		
1/2-13	56	80		
9/16-12	82	116		
5/8-11	113	159		
3/4-10	201	283		
M10 X 1.25			36	
M10 X 1.5				49
M12 X 1.75				71
M14 X 2.0				80

ALL TORQUE VALUES ARE IN FOOT-POUNDS (FT.-LB.)

Figure 3

G10410

* The torque values listed above are based on dry, coated bolts, variables such as oil, or other lubrications may appreciably alter these values and must be taken into consideration.

NOTE: IT IS IMPORTANT THAT ALL FASTENERS BE PROPERLY TORQUED TO ASSURE A SAFE OPERATING PLOW. RE-TIGHTEN ALL FASTENERS AFTER 2 HOURS OF PLOWING.