

# 13-Pin Headlight Adapter Kit Dodge 1999 – 2002 (With Sport Package)

MSC04597

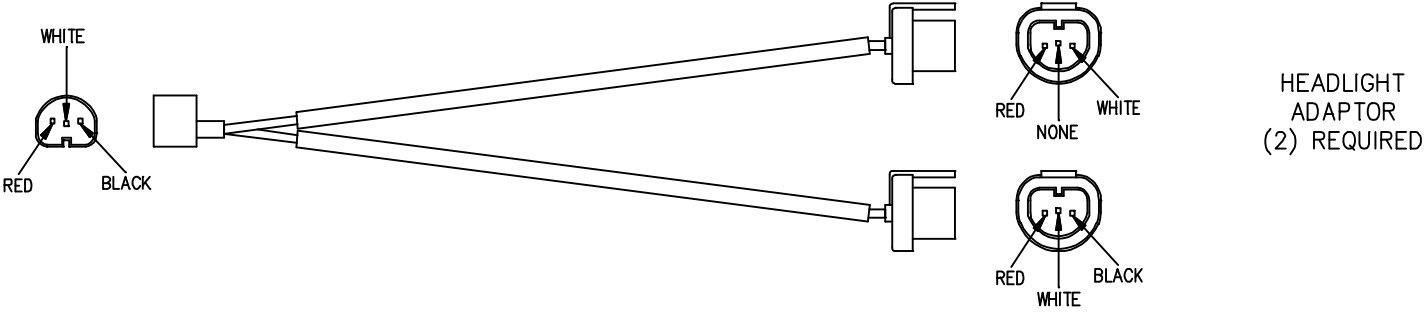
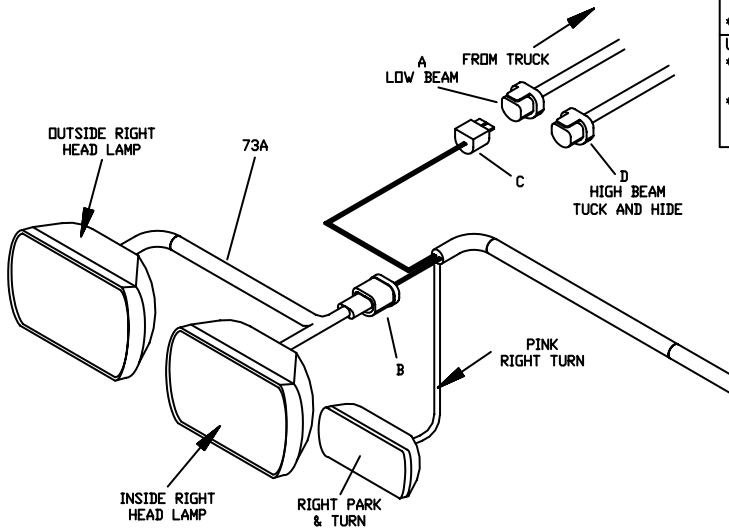


Figure 1. Headlight Adapter Kit MSC04597

## MSC04597 Headlight Adapter Installation Procedure



**Figure 1.** Dodge Sport Headlight Adapter Connections G10181

This installation Procedure is for 1999 & 2002 Dodge Sport trucks with 4 headlight system.

1. Disconnect OEM Headlight Connector Plugs (A and D) from the back of the vehicle headlights.
2. Connect two ends of Headlight Adapter (73A) into the back of the vehicle headlights.
3. Connect the Black Rubber Female Socket (B) of Headlight Adapter (73A) into the plow wiring harness.
4. Connect the Black Rubber Female Socket (C) of the plow wiring harness into the Low Beam OEM Wiring Harness (A).
5. Grease, tuck, and secure the High Beam OEM Connector Plug (D). This connector is not used.
6. Repeat Steps 1 through 5 for the opposite side headlight.

Use Standard Orientation For: *All Ford Models *All 1988 & Newer GM Models *All Dodge Models with 4 Headlight System *All 2003 & Newer Dodge Models	Standard Orientation Red/Yellow White/Yellow
Use Reverse Orientation For: *1994 - 2002 Dodge Models with 2 Headlight System (9004 Bulb) *1987 & Older GM Models with 4 Headlight System	Reverse Orientation White/Yellow Red/Yellow

**Figure 2.** Vehicle Option Connector

G10202

7. Locate vehicle option connector. Align the connector so that the wire colors are positioned to match the vehicle it is installed on. This is illustrated in Figure 2.