

Manufactured by: **Systems Control**
A Div. of Northern Star Industries, Inc.

906-774-0440
800-286-4155
906-779-4218 (FAX)

P.O. Box 788
Iron Mountain, MI 49801-0788
E-Mail: sales@bossplow.com
Web Site: www.bossplow.com

SHOCK ABSORBER KIT FOR RT3 STRAIGHT BLADES INSTALLATION INSTRUCTIONS STB04816

BOSS Products / Northern Star Industries, Inc. reserves the right under its continuous product improvement policy to change construction or design details and furnish equipment when so altered without reference to illustrations or specifications used herein.

MSC04594-1

THROUGH IT ALL

Instructions: Shock Absorber Installation

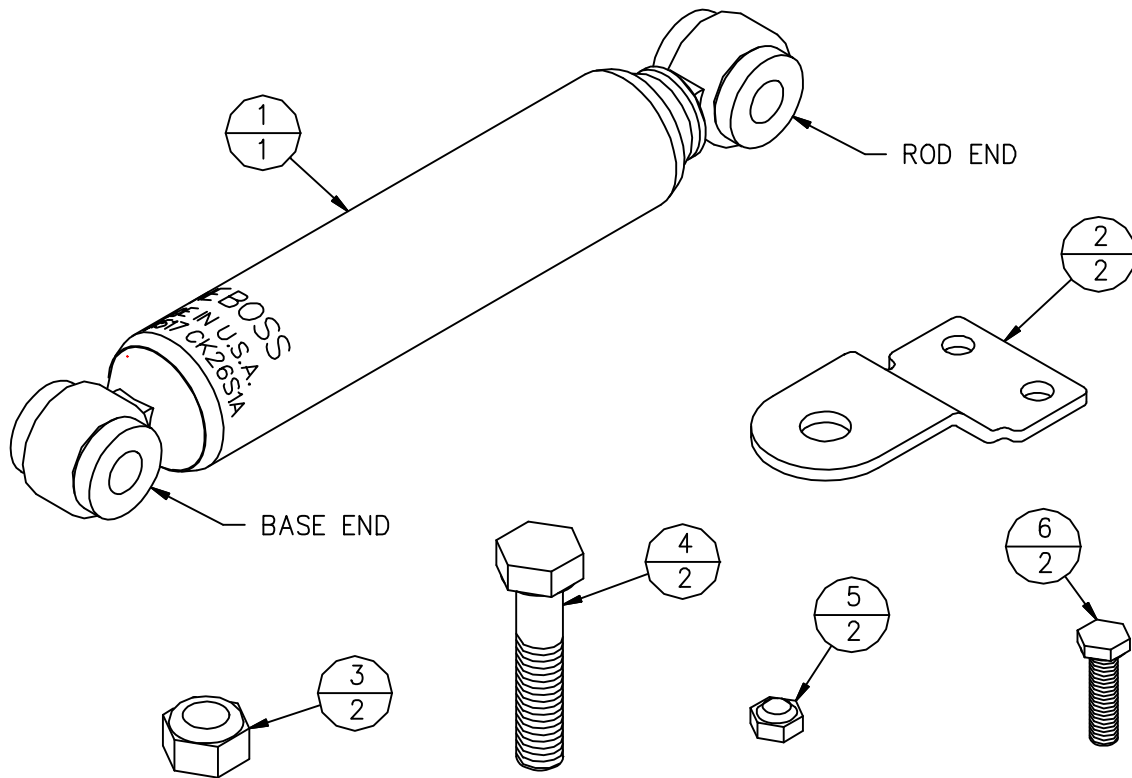


Figure 1. Shock Absorber Kit (STB04816) and Fastener Kit (HDW05609)

G10184

ITEM #	QUANTITY	PART #	DESCRIPTION
1	1	MSC01517	SHOCK ABSORBER
2	2	STB03014	BLADE SHOCK MOUNT
3	2	HDW01709	NUT, 5/8"-11 OVAL TOP LOCK
4	2	HDW05608	HHCS, 5/8"-11 x 3"
5	2	HDW01720	NUT, 3/8"-16 NYLON LOCK
6	2	HDW01719	HHCS, 3/8"-16 x 1 1/2"

Note: Shock Absorber Kit (STB04816) will fit all BOSS Straight Blade Snowplow.

Instructions: Shock Absorber Installation

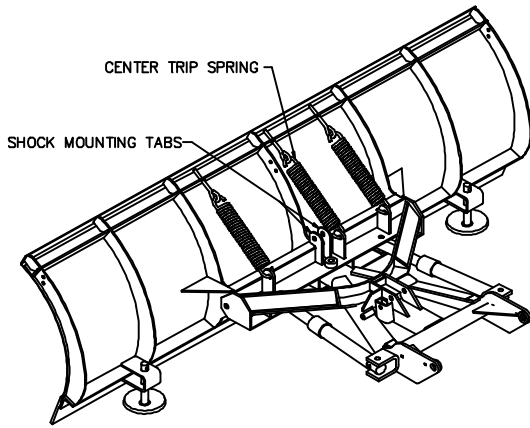


Figure 2. Standard Duty Straight Blades G00000

- 1) Remove the center trip spring if you are installing the Shock Option Kit on a 7'6" Standard Duty Straight Blade or a 7'6" Standard Duty Poly Plow. You do not need to remove any trip springs if you are installing the Shock Option Kit on any other Straight Blade.

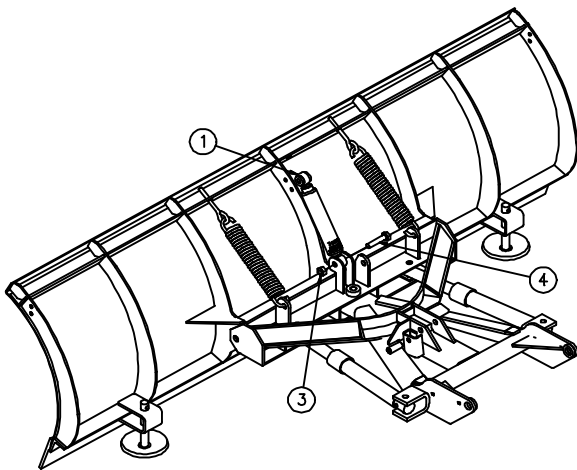


Figure 3. Shock Absorber to Attachment Bar G10061

- 2) Locate the two shock mounting tabs on the attachment bar as shown in Figure 2. Insert the base end of Shock Absorber (1) between the tabs and align the holes.

Note: The base end of Shock Absorber (1) is the end that has THE BOSS logo and part number engraved on.

- 3) Insert 5/8"-11 x 3" Hex Head Cap Screw (4) through the mounting tabs and the base end of Shock Absorber (1). The head of Hex Head Cap Screw (4) must be on the right side of the mount as illustrated in Figure 3. Install

5/8"-11 Oval Top Lock Nut (3) on Hex Head Cap Screw (4) and leave finger tight.

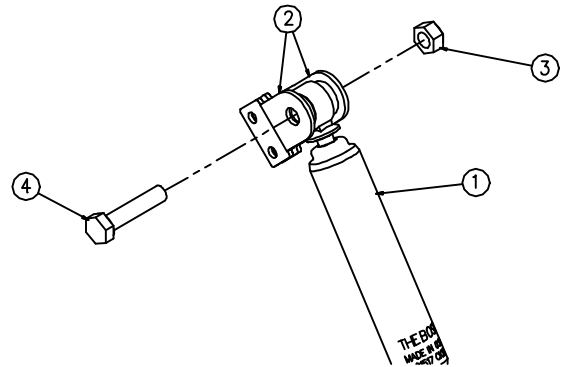


Figure 4. Install Shock Mounts to Shock Absorber G10062

- 4) Install Blade Shock Mounts (2) to the rod end of Shock Absorber (1) using 5/8"-11 x 3" Hex Head Cap Screw (4) and 5/8"-11 Oval Top Lock Nut (3). It does not matter which direction Hex Head Cap Screw (4) is facing. Leave the mount finger tight.

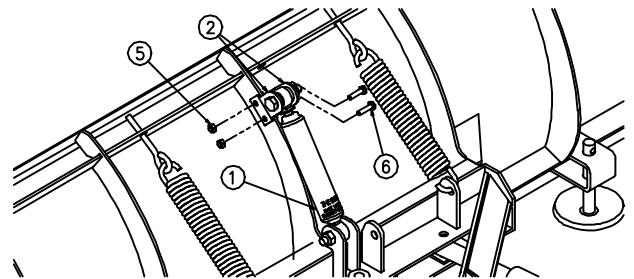


Figure 5. Install Shock Mounts to Plow Blade G10063

- 5) Locate the two holes in the center rib of your Straight Blade. Align the small holes in Blade Shock Mounts (2) with the holes in the center rib of the snowplow as shown in Figure 5. You must have one Blade Shock Mount (2) on each side of the center rib. Attach with two 3/8"-16 x 1 1/2" Hex Head Cap Screws (6) and two 3/8"-16 Nylon Lock Nuts (5). Leave the hardware finger tight.

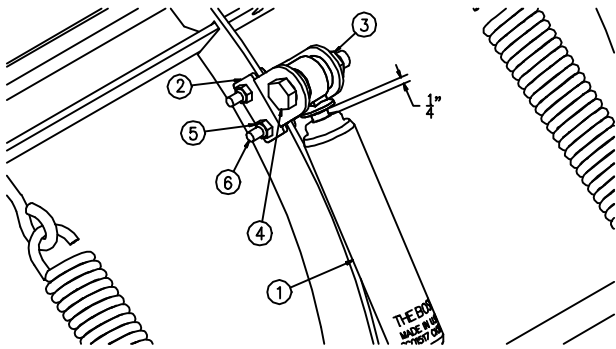


Figure 6. Final Setup and Tightening the Hardware G10064

- 6) Before tightening the hardware, it is advised that you extend Shock Absorber (1) to reveal approximately 1/4" of the rod. This will prevent Shock Absorber (1) from bottoming out when the blade swings back after tripping. Keeping the shock extended, fully tighten Hex Head Cap Screws (6) and Nylon Lock Nuts (5).
- 7) Tighten Hex Head Cap Screws (4) and Oval Top Lock Nuts (3) holding Shock Absorber (1) in place. Do not over-tighten these bolts as it may cause damage to Shock Absorber (1) or to the components of the plow. Hex Head Cap Screws (4) should have no more than 1/2" of thread showing beyond the nut after you have tightened them.
- 8) Replace the center trip spring if you are installing the Shock Option kit on a Standard Duty Straight Blade. The open side of the hook on the spring should be facing Shock Absorber (1) as shown in Figure 2. This will prevent the spring from making contact with the head of Hex Head Cap Screw (4) when the blade trips.