



P.O. Box 787 Iron Mountain, MI 49801-0787
ISO 9001:2008 REGISTERED
bossplow.com

SNOW DEFLECTOR INSTALLATION INSTRUCTIONS MSC04587

BOSS Products / The Toro Company, Inc. reserves the right under its continuous product improvement policy to change construction or design details and furnish equipment when so altered without reference to illustrations or specifications used herein.

PUSHING THE EDGE

MSC04588-2

MSC04587 Snow Deflector Components

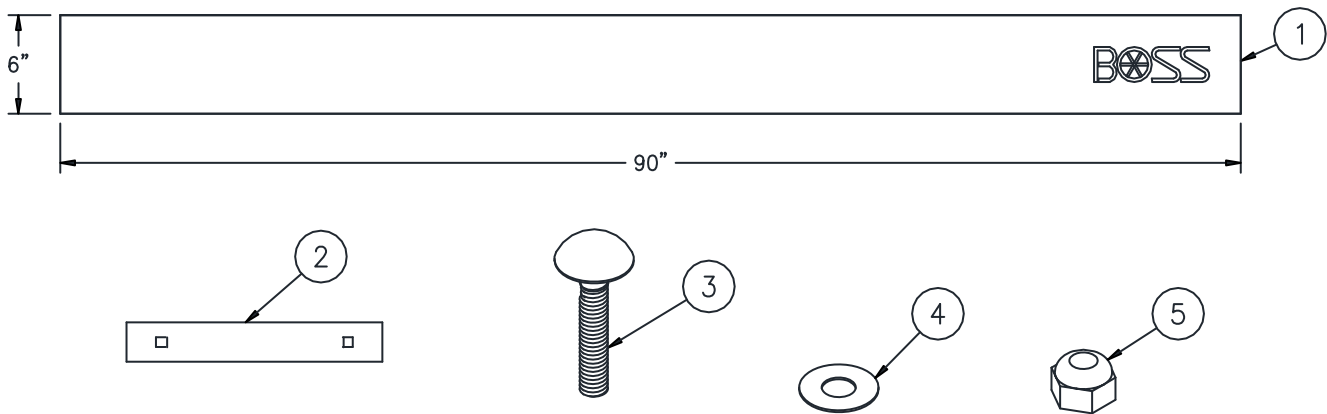


Figure 1. MSC04587 Snow Deflector and MSC03734 Fastener Kit Contents

G10585

ITEM #	QUANTITY	PART #	DESCRIPTION
1	1	MSC04590	BELTING 90" x 6"
2	4	MSC04931	METAL STRAP, 2-HOLE
3	2	MSC04932	METAL STRAP, 2-HOLE, 45° END
4	16	HDW08301	5/16"-18 x 1-1/2" CARRIAGE BOLT, GR5
5	1	HDW01728	1/2"-13 x 1-1/2" HEX HEAD BOLT, GR5
6	4	HDW05571	1/4"-20 x 1-1/4" HEX HEAD BOLT, GR2
7	16	HDW01714	5/16"-18 NYLON LOCK NUT
8	4	HDW01725	1/4"-20 NYLON LOCK NUT
9	16	HDW06967	5/16" FLAT WASHER
10	1	HDW01729	1/2" FLAT WASHER
11	8	HDW05598	5/16" x 1-1/4"OD FENDER WASHER

Note: Snow Deflector Kit MSC04587 fits all BOSS HTX and 7'6" Straight Blade snowplows including: Sport Duty, Standard Duty, Super Duty, Super Duty Trip Edge, and Poly Super-Duty snowplows.

Snow Deflector Instructions For All 7'6" & Under Straight Blade/Trip-Edge Plows

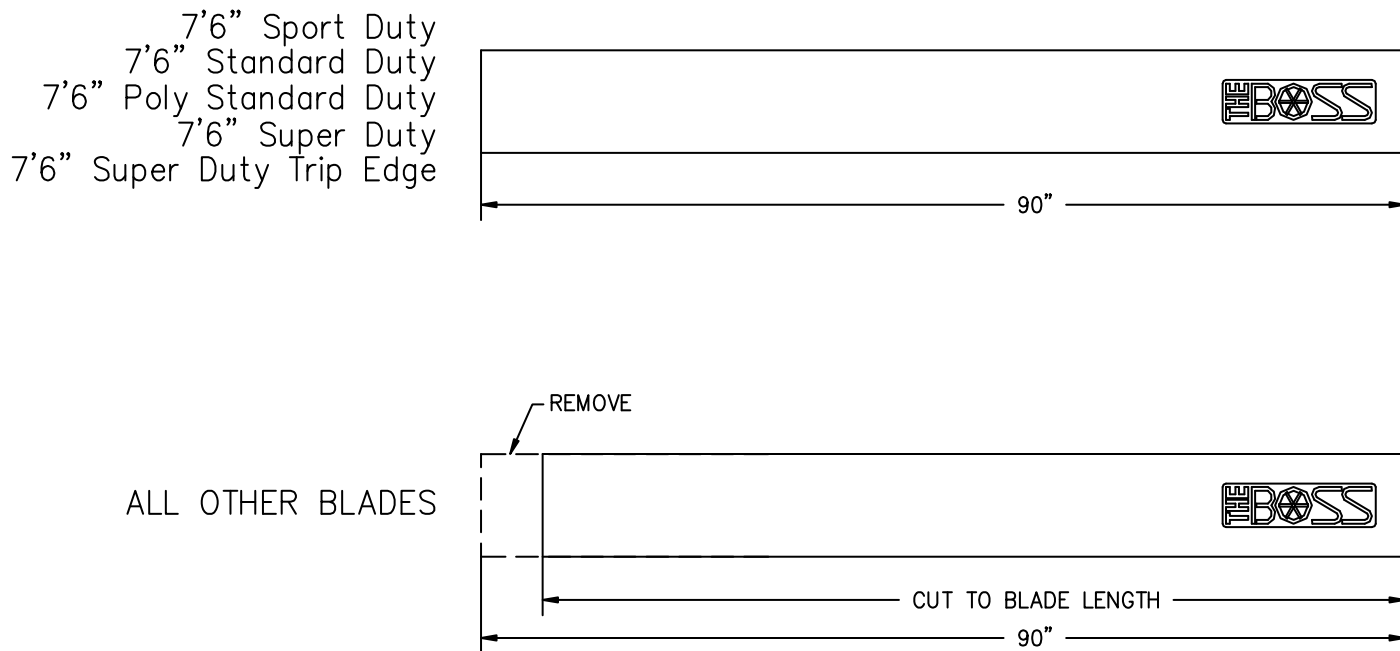


Figure 2. Belting cut for all 7'6" & Under Straight Blades.

G10586

1. Cut **MSC04058** Belting (1) to match the length of your Straight Blade. See Figure 2.

Note: If you are installing the Snow Deflector on a 7'6" blade you do not need to cut this piece.

2. Place Belting on top of Blade and align so that the ends of Belting are flush with ends of Blade.
3. Clamp Metal Straps on top of Belting, aligned with the pre-existing holes in Blade.

Note: Metal Straps with 45° Ends should be placed on end of blade.

4. Drill through Belting using holes in Metal Straps and Blade as guides.
5. Attach Metal Straps and Belting to Blade using 5/16"-18 Carriage Bolts, 5/16" Flat Washers, and 5/16"-18 Nylon Lock Nuts.