

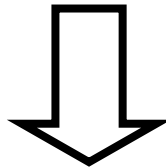


P.O. Box 787 Iron Mountain, MI 49801-0787
ISO 9001:2008 REGISTERED
bossplow.com

SNOW DEFLECTOR INSTALLATION INSTRUCTIONS MSC01565

MSC01565 Deflector Components Page 1

Follow the instructions that correspond to your plow.



Power-V, V-XT & DXT Blade Assembly Instructions.....Page 2

Straight Blade/Trip-Edge Assembly Instructions.....Page 5

Blade Wing Extension Kit Assembly Instructions.....Page 7

BOSS Products reserves the right under its continuous product improvement policy to change construction or design details and furnish equipment when so altered without reference to illustrations or specifications used herein.

MSC01565 Snow Deflector Components

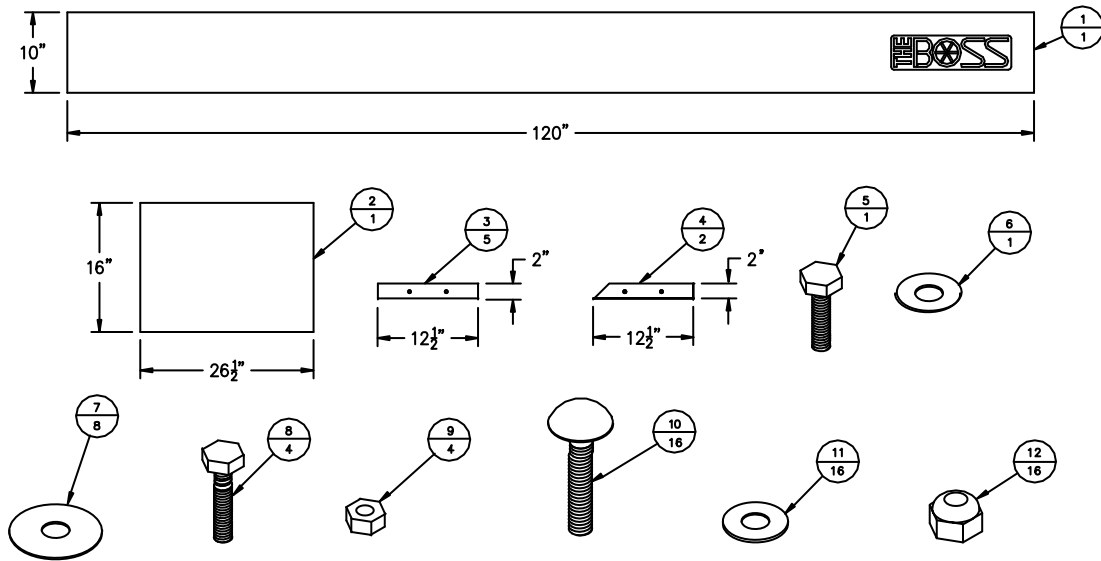


Figure 1. MSC01565 Snow Deflector and MSC03734 Fastener Kit Contents

G10015

ITEM #	QUANTITY	PART #	DESCRIPTION
1	1	MSC04058	BELTING 120" x 10"
2	1	MSC03906	BELTING, CENTER 16" x 26-1/2"
3	5	MSC04931	STRAP, SNOWFOIL, 2 HOLE
4	2	MSC04932	STRAP, SNOWFOIL, 2 HOLE, 45
5	1	HDW01728	1/2"-13 X 1-1/2" HEX HEAD BOLT
6	1	HDW01729	1/2" FLAT WASHER
7	8	HDW05598	5/16" X 1-1/4" FENDER WASHER
8	4	HDW05571	1/4"-20 X 1-1/4" HEX HEAD BOLT
9	4	HDW01725	1/4"-20 NYLON LOCK NUT
10	16	HDW02055	5/16"-18 X 1-3/4" CARRIAGE BOLT
11	16	HDW06967	5/16" FLAT WASHER
12	16	HDW01714	5/16"-18 NYLON LOCK NUT

Note: Snow Deflector Kit MSC01565 fits all BOSS snowplows including the multi-position Power-V, V-XT, DXT, Straight Blade, Trip-Edge Blade and Poly Snowplows except for the 10' Power-V, 10' DXT and 10' Straight Blade.

Snow Deflector Assembly Instructions for Steel and Poly Power-V, V-XT & DXT Blades

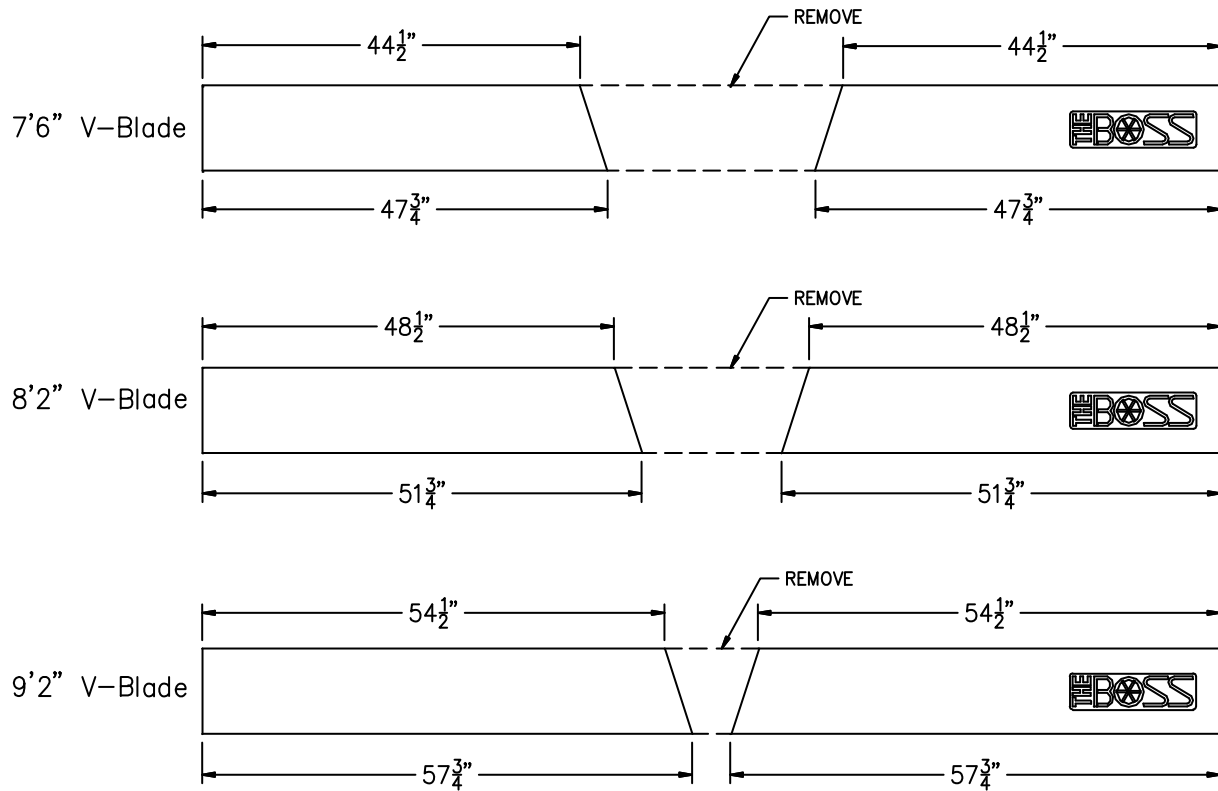


Figure 2. Belting Dimensions for V blades

G10016

- 1)** Cut **MSC04058** Belting (1) into two pieces. Use the dimensions specified in Figure 2 for your plow.

Note: If installing snow deflector on a poly blade, the top channel needs to be removed to expose the holes in the blade skin.

Snow Deflector Assembly Instructions for Steel and Poly Power-V, V-XT & DXT Blades

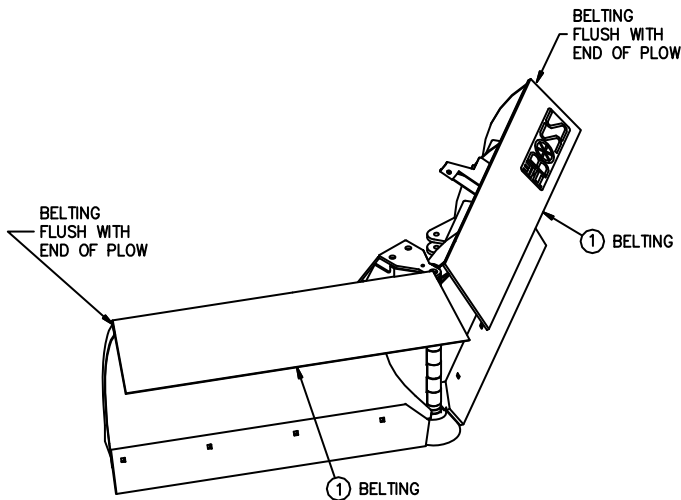


Figure 3. Clamping Orientation.

G10018

- 2) Clamp the two pieces of Belting (1) to the plow as shown in Figure 3. The factory cut edges of the Belting must be flush with the outside edges of the plow.

Installation Tip: ViseGrips work very well when clamping the straps and belting to the blade.

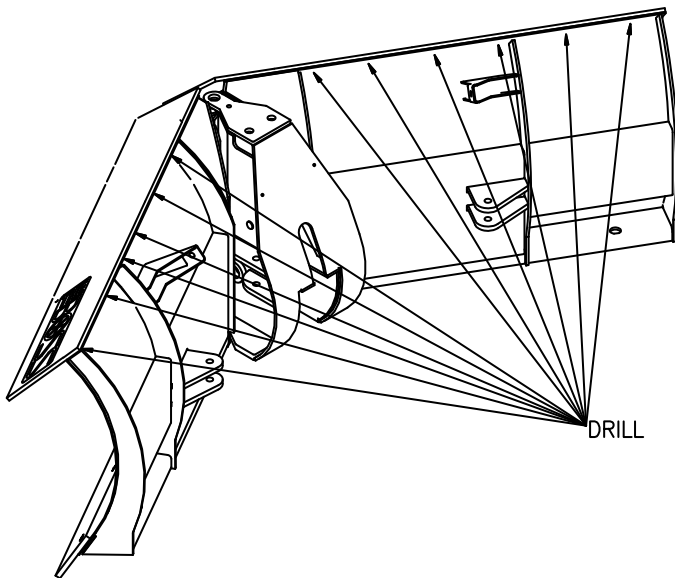


Figure 4. Drilling Procedure

G10749

Installation Note: If installing snow deflector on a plow that does not have pre-punched holes in the blade skin, it is required that the blade skin be drilled along with the rubber. Use the metal straps as reference when drilling the holes. Refer to Figure 6 for the correct strap orientation. Space between straps will differ depending on size of blade.

- 3) Using the holes in the blade skin as a guide, either mark the Rubber Belting (1) with a marker and remove the belting to drill, or drill through Rubber Belting (1) from the backside of the blade using a 3/8" diameter drill. Use figure 4 as a reference.
- 4) Place Metal Straps (3) and Metal Straps with 45 (4) on top of the Rubber Belting (1). The Metal Straps with 45 (4) should be placed closet to the center of the blade as shown in Figure 6.

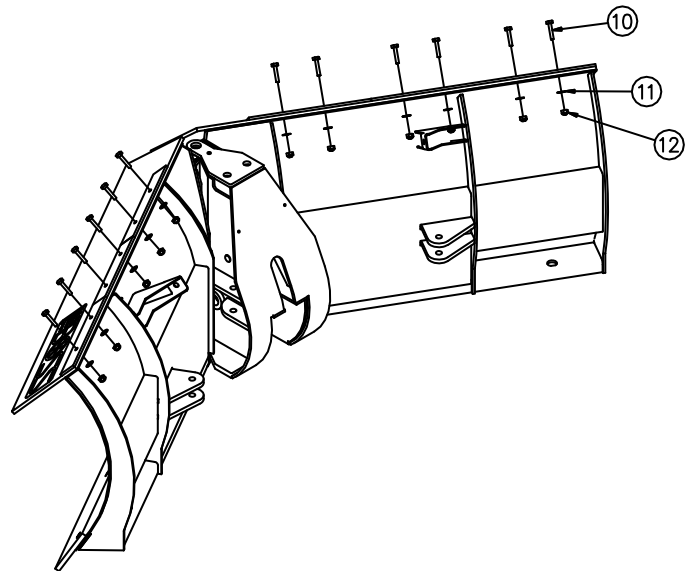


Figure 5. Snow Deflector Assembly Procedure

G10021

- 5) Attach Rubber Belting (1) and Metal Straps (3) and Metal Straps with 45 (4) to the plow using the included 5/16" Bolts (10), 5/16" Flat Washers (11), and 5/16" Lock Nuts (12).

Snow Deflector Assembly Instructions for Steel and Poly Power-V, V-XT & DXT Blades

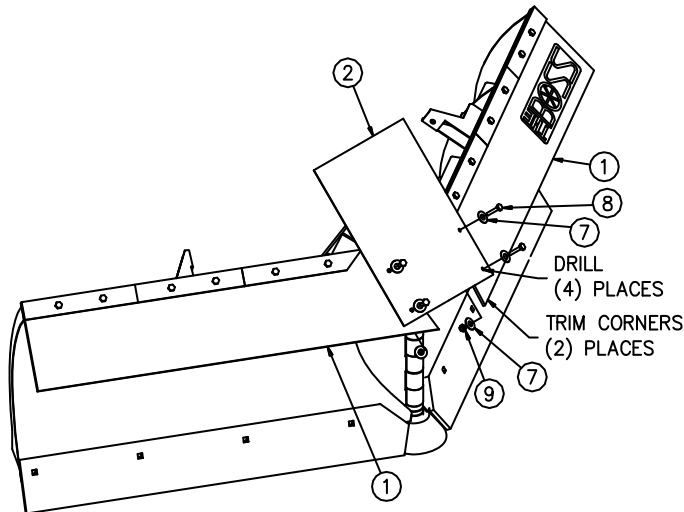


Figure 6. Center Flap Installation G10022

Note: The plow must be in the V Position as shown in Figure 6 for the installation of Center Belting (2).

- 6) Align and clamp Center Belting (2) as follows:
 - Center the Center Belting (2) to allow an equal amount of overlap on each half of Rubber Belting (1).
 - Position Center Belting (2) so that the 16-inch width is horizontal and the 21-1/2 inch length is vertical. This is illustrated in Figure 6.
 - Position the front corners of Center Belting (2) up approximately 1-1/2" from the front edge of Rubber Belting (1).
- 7) With Center Belting (2) clamped in place, drill two 3/8" diameter holes through each side of Center Belting (2) as shown in Figure 6. The holes should be placed at least 1-1/2 inches away from the edges of the pieces of belting.
- 8) Attach Center Belting (2) to Rubber Belting (1) using four 1/4" Bolts (6), eight 5/16" Fender Washers (5), and four 1/4" Lock Nuts (7).
- 9) Trim the corners of Rubber Belting (1) to be flush with the bottom of Center Belting (2). Reference Figure 6 above.

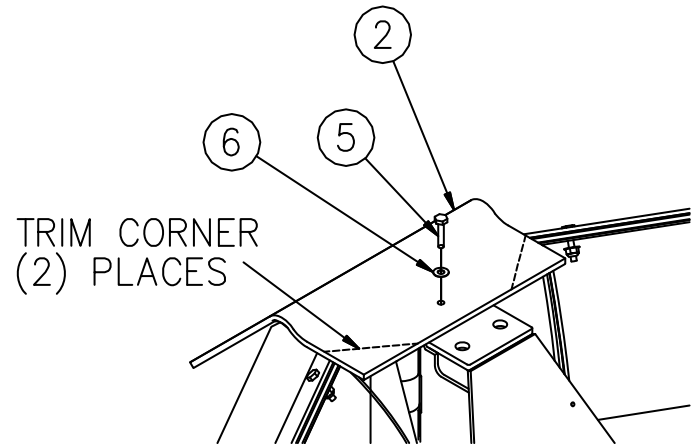


Figure 7. Center Flap Installation G10023

10) Fold Center Belting (2) over the top of the plow as shown in Figure 7.

11) Drill a hole that is centered and approximately 1-1/2" from the back of Center Belting (2).

Installation Note: If installing center belting on a center section that does not have the threaded hole, it is required that a hole be drilled and tapped 1-1/2" from the back of the center hinge pin. This hole should be for a 1/2" bolt.

12) Using 1/2" Bolt (5) and 1/2" Flat Washer (6), attach Center Belting (2) to the top of Center Section by utilizing the threaded hole that is located behind the center hinge pin.

13) Remove any excess material from the lower back of Center Belting (2) so that it does not interfere with the plow. Reference Figure 7 above.

Snow Deflector Assembly Instructions for Steel and Poly Straight and Trip-Edge Blades

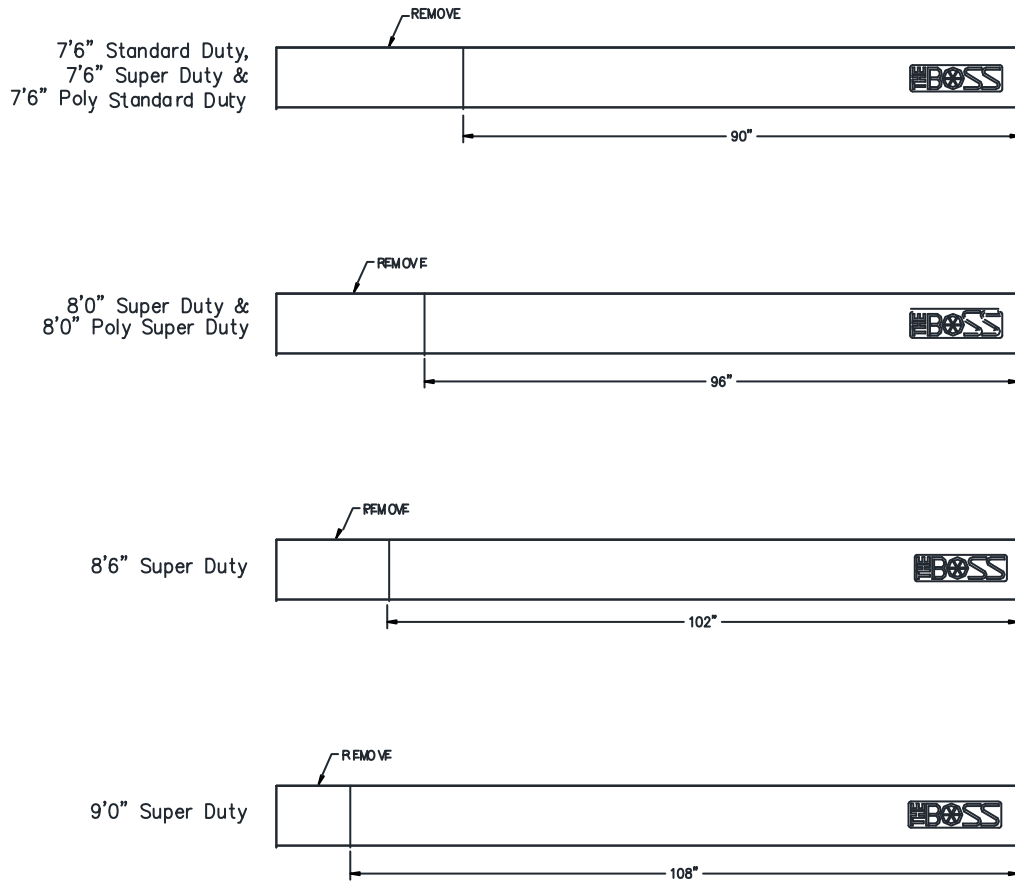


Figure 8. Belting Dimensions for all Straight Blades.

G10031

- 1) Cut MSC04058 Belting (1) to match the length of your Straight Blade using the dimensions specified in Figure 8.

Snow Deflector Assembly Instructions for Steel and Poly Straight and Trip-Edge Blades

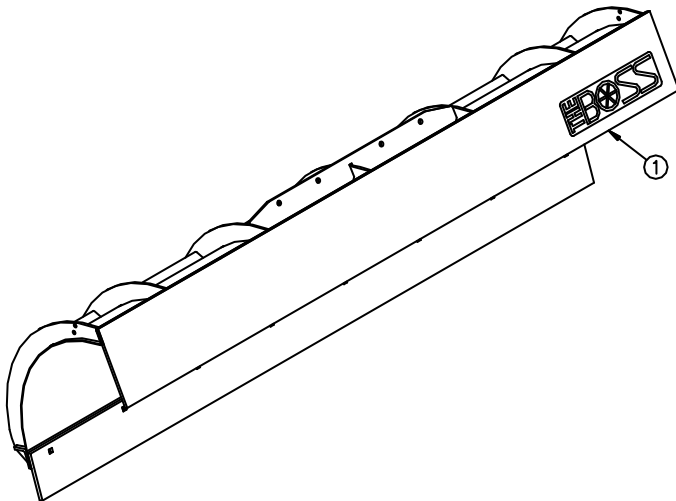


Figure 9. Clamping Procedure

G10038

- 2) Clamp the Rubber Belting (1) to the top edge of the blade as shown in Figure 9.

Installation Tip: ViseGrips work well when clamping the belting to the blade.

Installation Note: If installing snow deflector on a plow that does not have pre-punched holes in the blade skin, it is required that the blade skin be drilled along with the rubber belting. Use the metal straps as reference when drilling the holes. Refer to Figure 10 for the correct strap orientation. Space between straps will differ depending on size of blade.

- 3) Using the holes in the blade skin as a guide, either mark the Rubber Belting (1) with a marker and remove the belting to drill, or drill through Rubber Belting (1) from the backside of the blade using a 3/8" diameter drill.

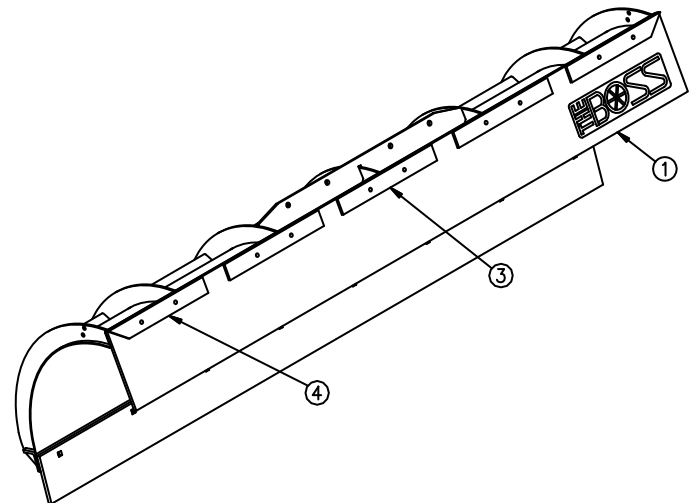


Figure 10. Strap Orientation

G10761

- 4) Place Metal Straps (3) and Metal Straps with 45 (4) on top of the Rubber Belting (1). The Metal Straps with 45 (4) should be placed on the outer edges of the blade as shown in Figure 10.

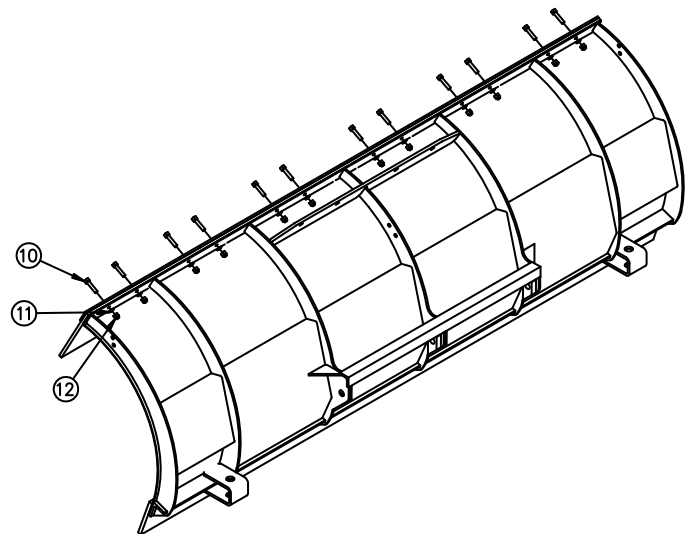


Figure 11. Snow Deflector Assembly Procedure

G10817

- 5) Attach Rubber Belting (1) and Metal Straps (3) to the plow using the included 5/16" Bolts (10), 5/16" Flat Washer (11), and 5/16" Lock Nuts (12).

Snow Deflector Assembly Instructions for Blade Wing Option Kit

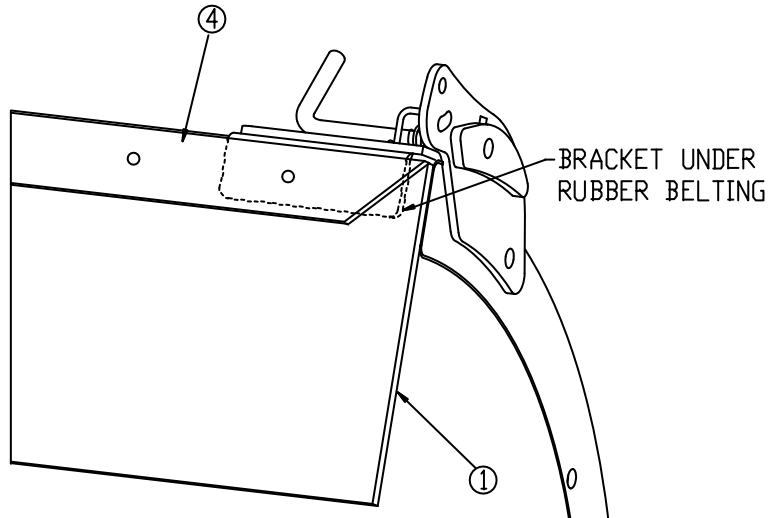


Figure 12. Blade Wing Bracket Installed on Blade G10614

- 1) If you have Blade Wing Extensions, follow instructions to insure proper Snow Deflector fit.

NOTE: These instructions are used for all blades (Straight, Power-V, V-XT, & DXT).

- 2) Rubber Belting (1) must be placed over the Blade Wing Bracket as shown in Figure 12.
- 3) Place Metal Strap (4) on top of Rubber Belting (1) and use the hardware provided to secure Rubber Belting (1) and the Metal Strap (4) to the blade.