



Manufactured by: **Systems Control**
A Div. of Northern Star Industries, Inc.

906-774-0440
800-286-4155
906-779-4218 (FAX)

P.O. Box 788
Iron Mountain, MI 49801-0788
E-Mail: sales@bossplow.com
Web Site: www.bossplow.com

POLY SNOW DEFLECTOR STRAIGHT BLADE PLOWS INSTALLATION INSTRUCTIONS MSC04557

BOSS Products / Northern Star Industries, Inc. reserves the right under its continuous product improvement policy to change construction or design details and furnish equipment when so altered without reference to illustrations or specifications used herein.

MSC04565-2

THROUGH IT ALL

MSC04557 STRAIGHT BLADE SNOW DEFLECTOR COMPONENTS

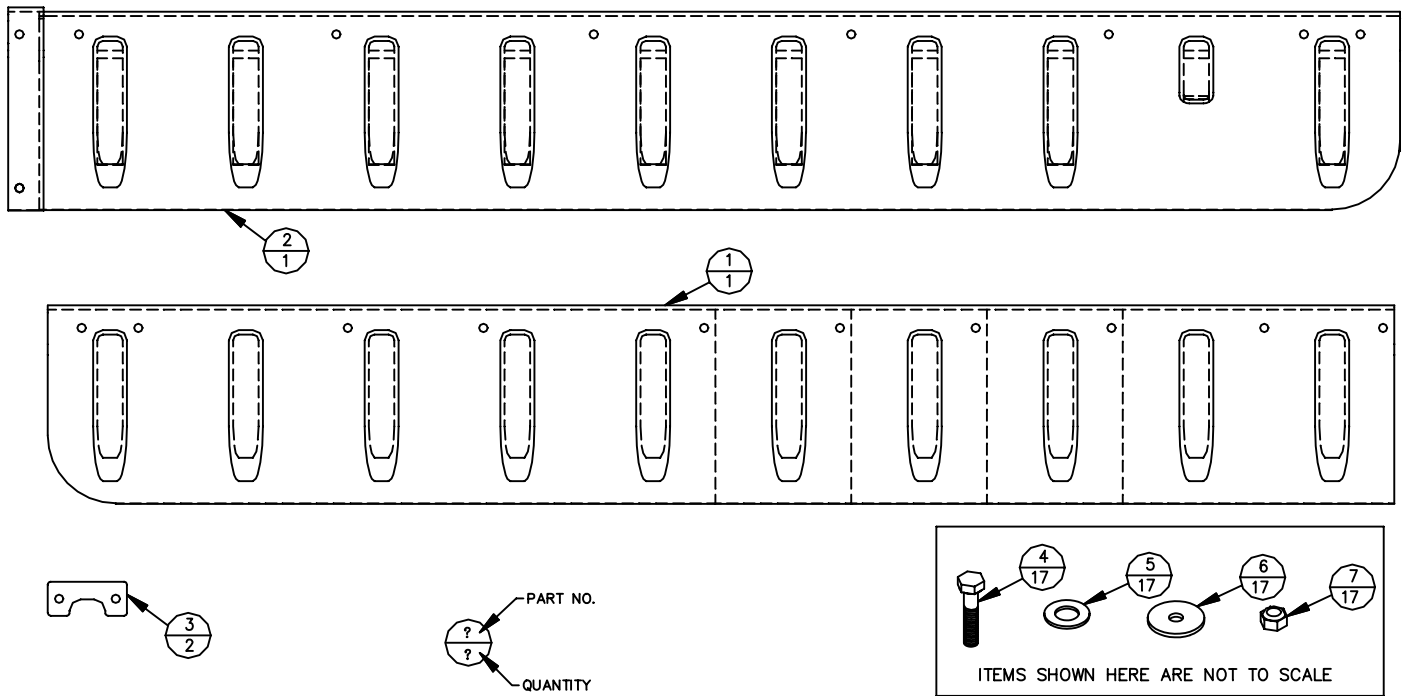


Figure 1. MSC04557 Snow Deflector Kit and HDW04566 Fastener Kit contents.

G10185

ITEM #	QUANTITY	PART #	DESCRIPTION
1	1	MSC04554	SNOW DEFLECTOR HALF, PLASTIC, RH
2	1	MSC04555	SNOW DEFLECTOR HALF, PLASTIC, LH
3	2	MSC04805	PLASTIC SNOW DEFLECTOR REINFORCEMENT PLATE
4	17	HDW05604	HEX HEAD CAP SCREW, 1/4-20 X 1 , GR5, BLACK
5	17	HDW05605	WASHER, 1/4" USS FLAT, BLACK
6	17	MSC07943	FLAT WASHER, NEO, 5/16 X 1 1/4 X 3/16
7	17	HDW05606	NUT, 1/4-20 OVAL HEAD LOCK, GR5, BLACK

Note: MSC04557 Snow Deflector Kit fits all BOSS straight blade and tripedge snowplows including Steel Blade and Poly Blade Snowplows. MSC04557 Snow Deflector Kit should not be used on any BOSS V-Blade models.

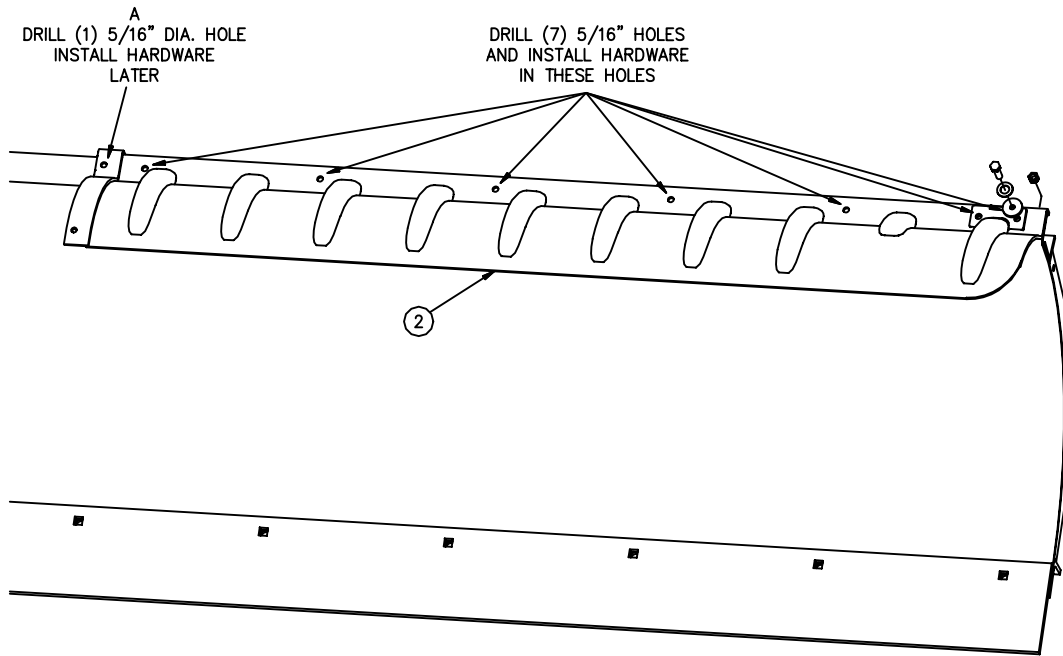
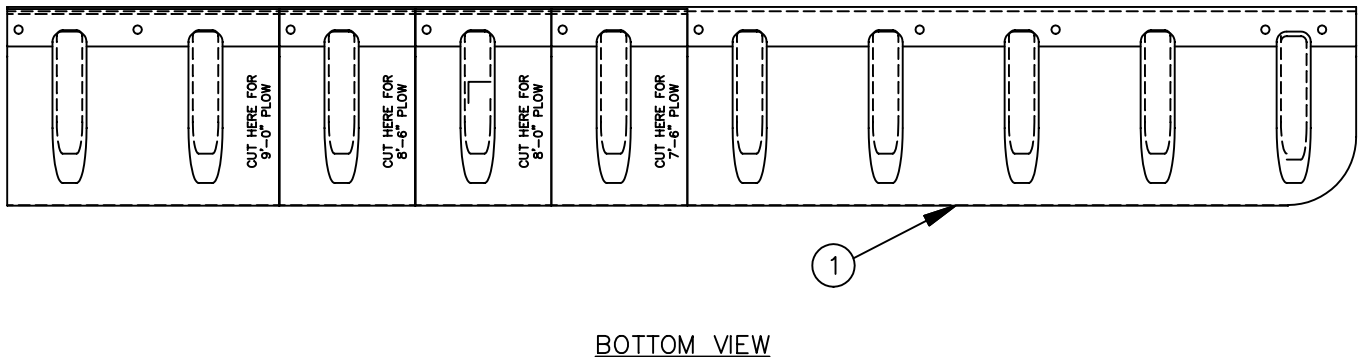


Figure 2. Installation of MSC04555 Left Snow Deflector Half.

G10186

1. Position **MSC04555** Left Snow Deflector Half (2) flush with the outside edge of the plow.
2. Using Left Snow Deflector Half (2) as a template, drill eight 5/16" dia. holes in the blade.
3. Attach Left Snow Deflector Half (2) in place using **HDW05604** 1/4-20 X 1" HHCS (4), **HDW05605** 1/4" Flatwashers (5), **MSC07943** 5/16" Rubber Washers (6), **HDW05606** 1/4-20 Self-locking Nuts (7), and one **MSC04805** Reinforcing Plate (3).

Note: Do not install hardware into hole (A) at this time.



BOTTOM VIEW

Figure 3. Trimming of MSC04554 Right Snow Deflector Half

G10187

4. Trim **MSC04554** Right Snow Deflector Half (1) to the proper length by cutting on the cut line for your plow size.

Note: No modification is required on 10' Straight Blade Snowplows.

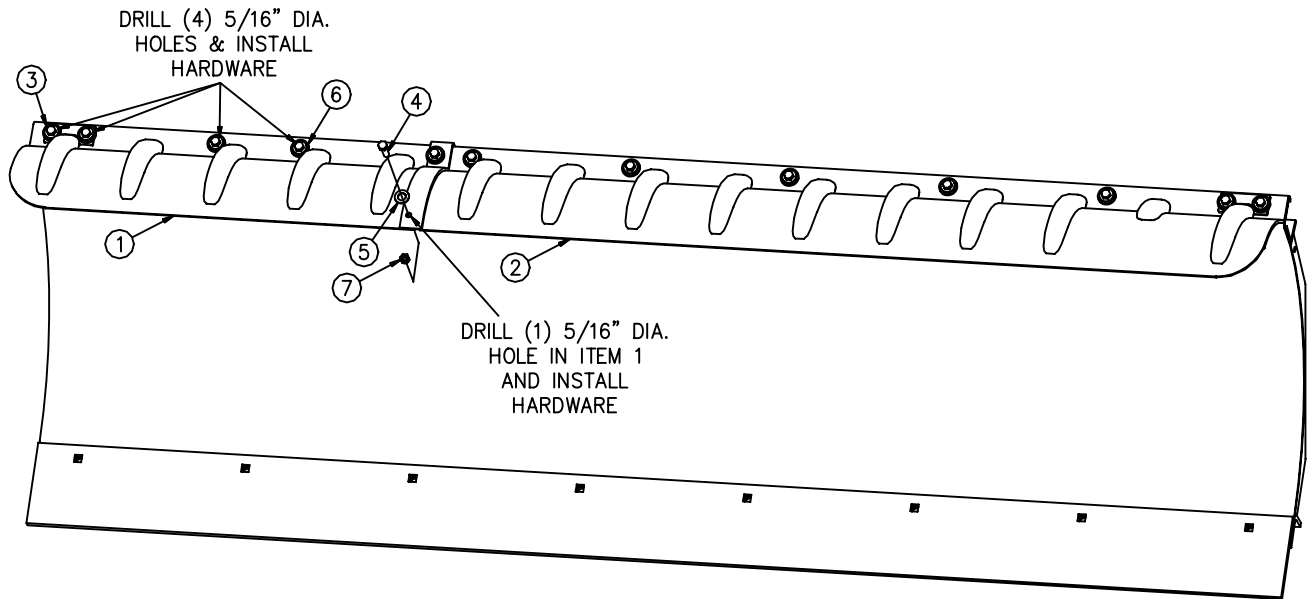


Figure 4. Installing MSC04554 Right Snow Deflector Half

G10188

5. Slide the cut edge of Right Snow Deflector Half (1) under the overlap lip of Left Snow Deflector Half (2). Align the holes at the overlap.
6. Using Right Snow Deflector Half (1) as a template, drill four 5/16" dia. holes in the blade.
7. Attach Right Snow Deflector Half (1) in place using **HDW05604** 1/4-20 X 1" HHCS (4), **HDW05605** 1/4" Flatwashers (5), **MSC07943** 5/16" Rubber Washers (6), **HDW05606** 1/4-20 Self-locking Nuts (7), and one **MSC04805** Reinforcing Plate (3).
8. Drill the front hole in the overlap lip through Right Snow Deflector Half (1).
9. Attach the Right Snow Deflector Half (1) with Left Snow Deflector Half (2) using **HDW05604** 1/4-20 X 1" HHCS (4), **HDW05605** 1/4" Flatwashers (5), **MSC07943** 5/16" Rubber Washers (6), and **HDW05606** 1/4-20 Self-locking Nuts (7).