

BOSS

S N O W P L O W



WBS15950 WALK-BEHIND SPREADER, 100 LB, SS, BRCAST, 17+

FULL BAFFLE SPREADER ASSEMBLY INSTRUCTIONS
ARMADO DEL ESPARCIDOR CON DEFLECTOR COMPLETO
DIRECTIVES D'ASSEMBLAGE DU DÉFLECTEUR COMPLET

800.286.4155
BOSSPLOW.COM



014814 R0217

WARNING ⚠️ ADVERTENCIA ⚠️ ADVERTISSEMENT

WARNING: This product contains chemicals, including lead, known to the state of California to cause birth defects and other reproductive harm.
Wash hands after handling.

ADVERTENCIA: Este producto contiene agentes químicos como plomo, que en el Estado de California es conocido por provocar defectos congénitos y otros daños reproductivos. *Lávese las manos después de usarlo.*

ADVERTISSEMENT : Ce produit contient des produits chimiques, incluant le plomb, reconnus par l'État de Californie comme causant des anomalies congénitales et autres problèmes reproductifs. *Se laver les mains après toute manipulation.*

Contents:

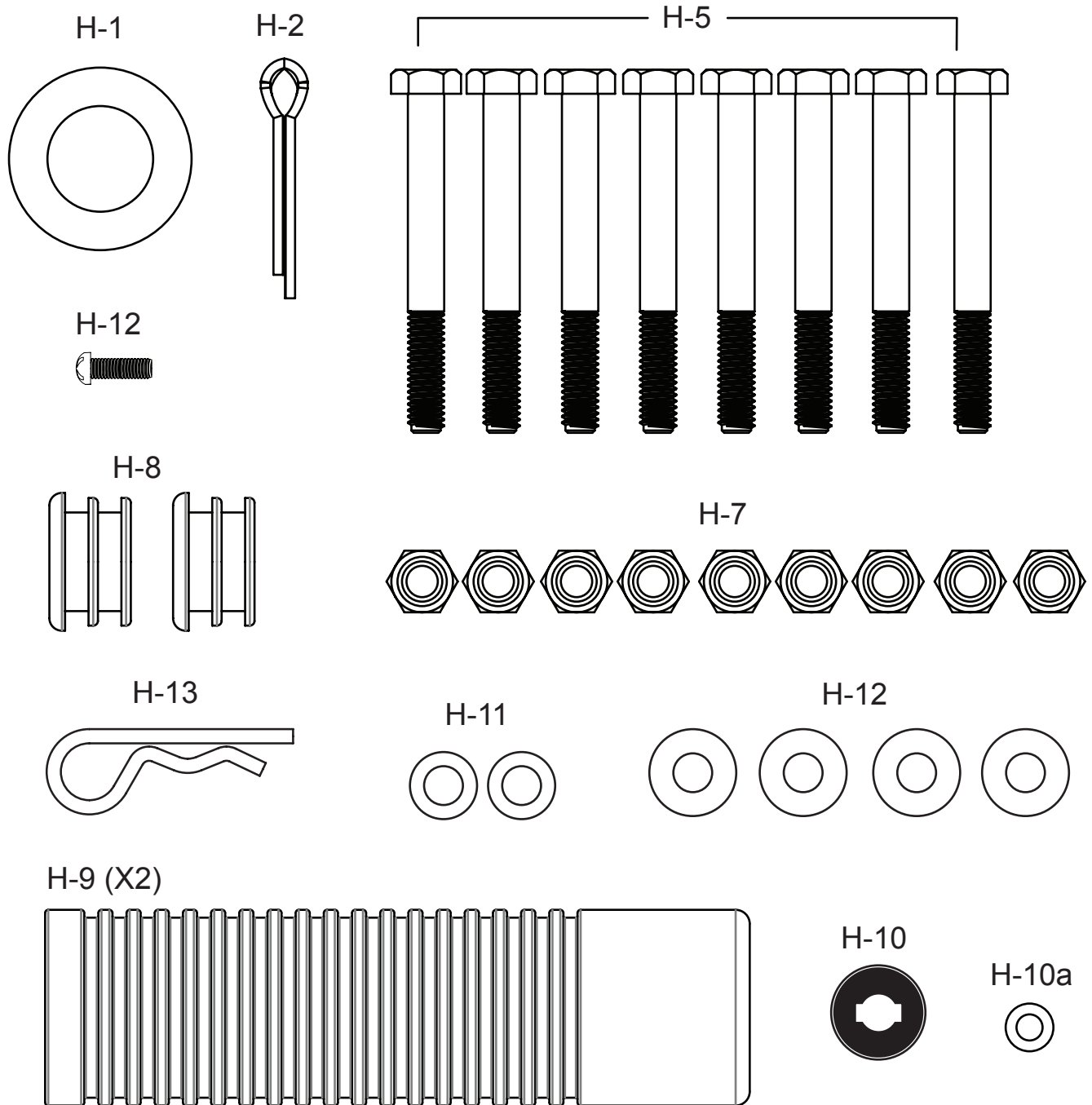
Contenido:

Contenu:

Spreader Hardware (Actual size)

Accesorios para esparcidor (tamaño real)

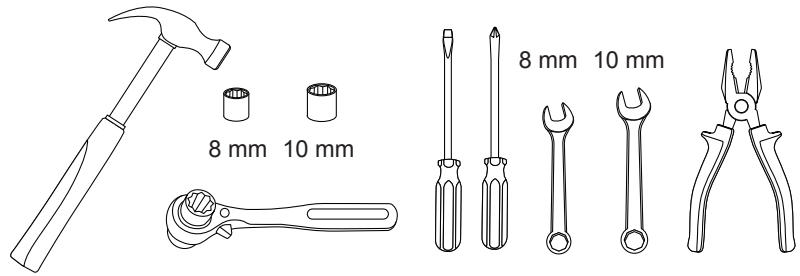
Quincaillerie de l'épandeur (taille réelle)



TOOLS NEEDED:

HERRAMIENTAS REQUERIDAS:

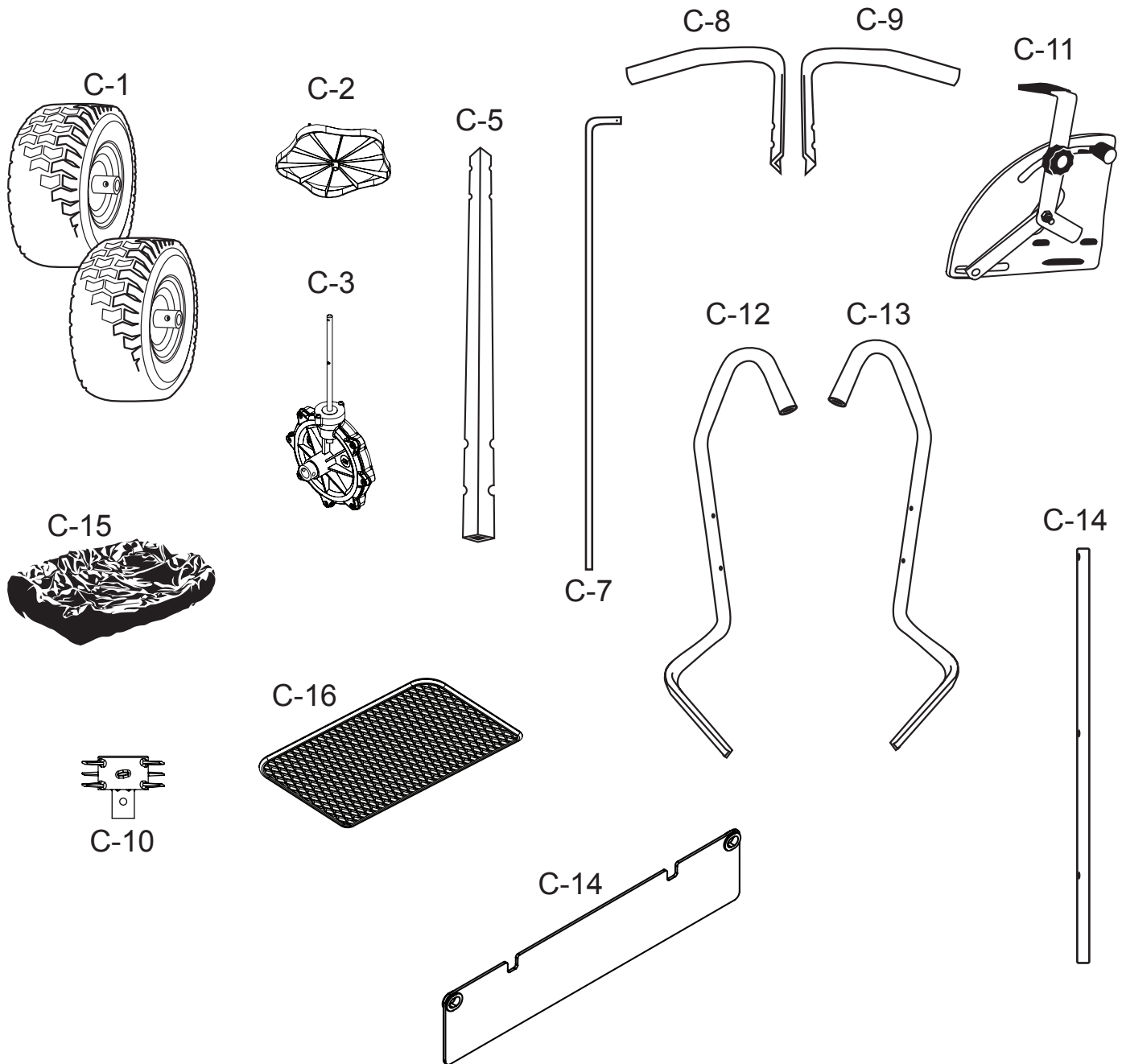
OUTILS REQUIS:



Spreader Components (Not Actual size)

Componentes de la esparcidor (no en tamaño real)

Composants de l'épandeur (taille non réelle)

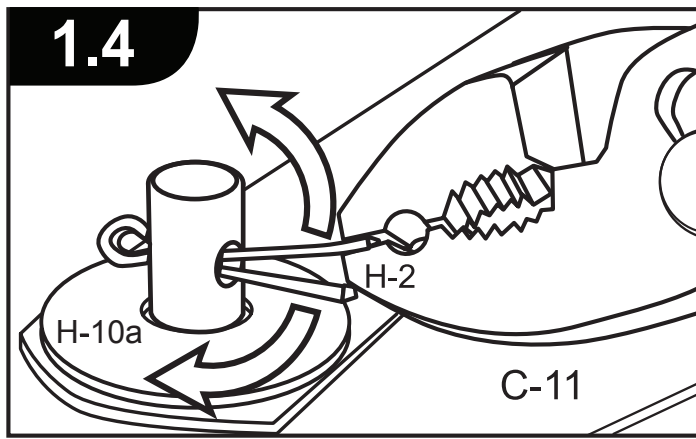
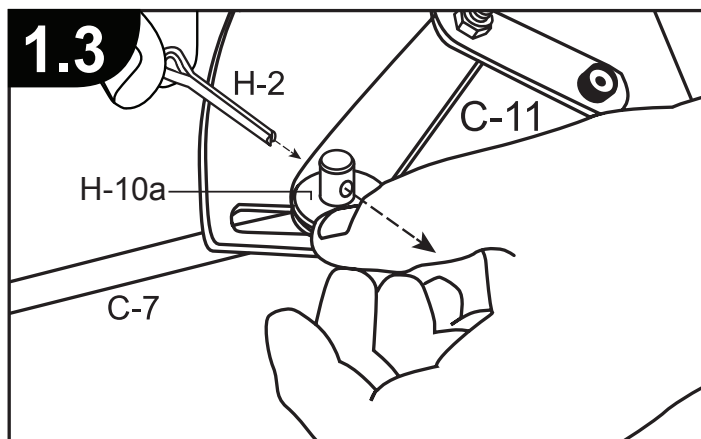
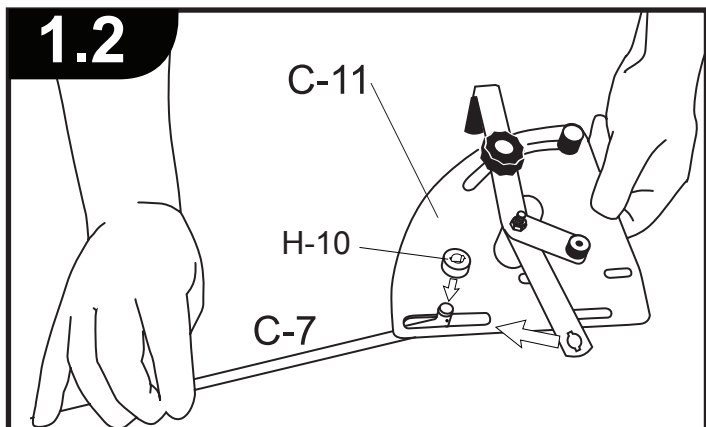
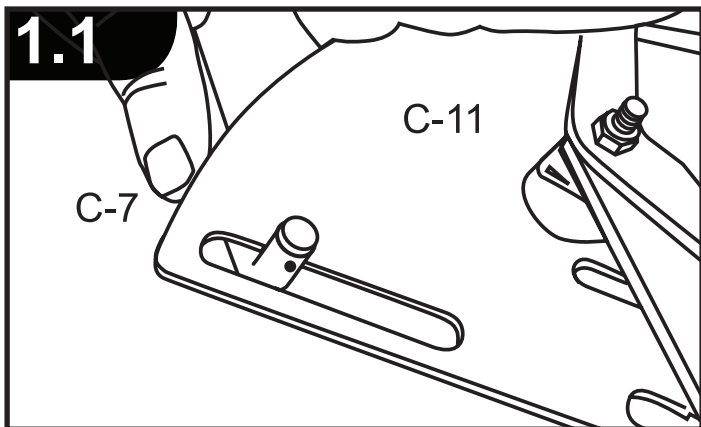
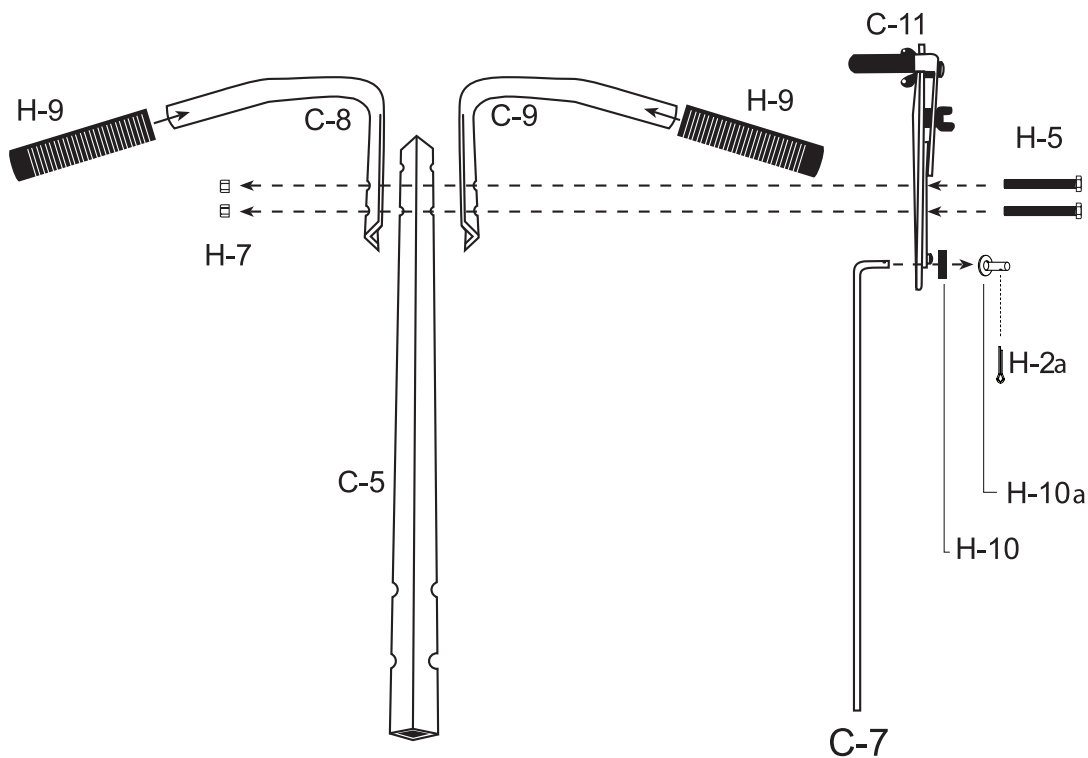


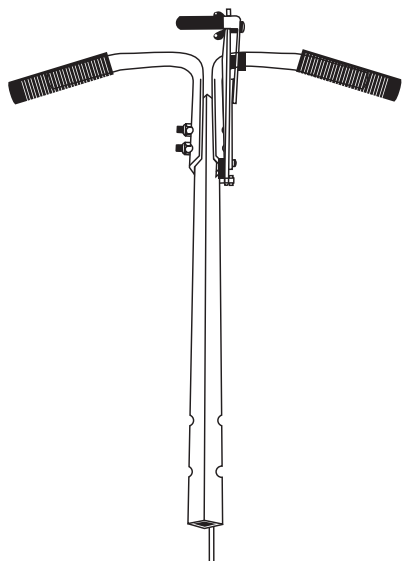
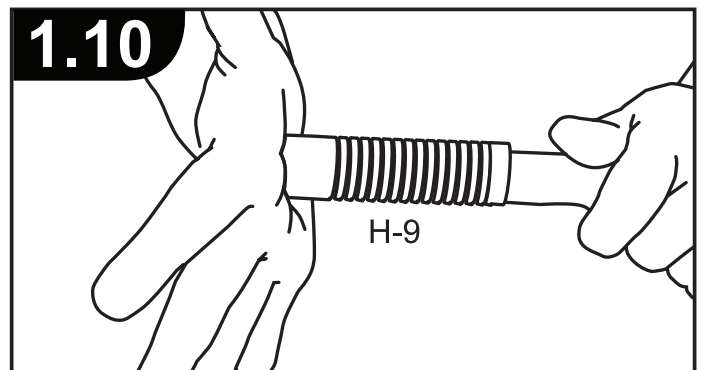
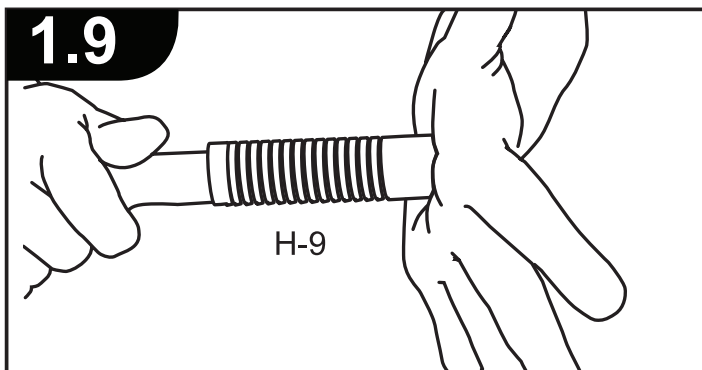
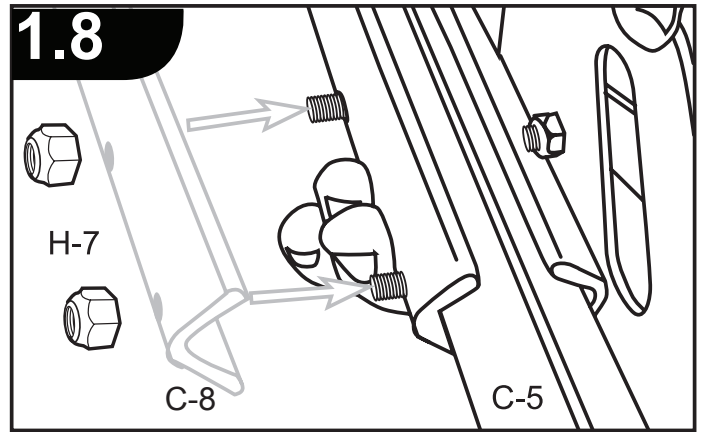
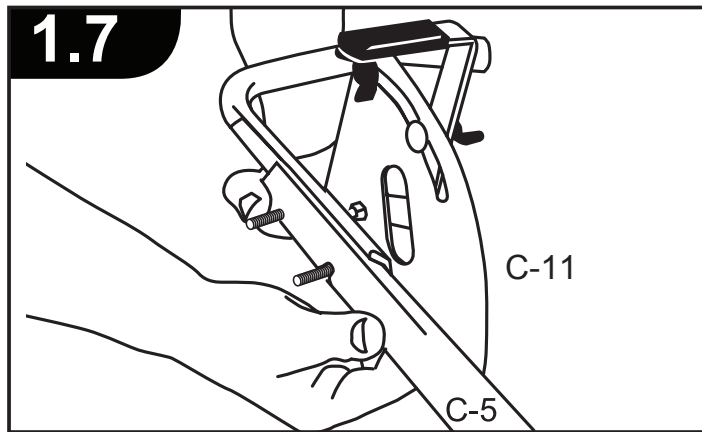
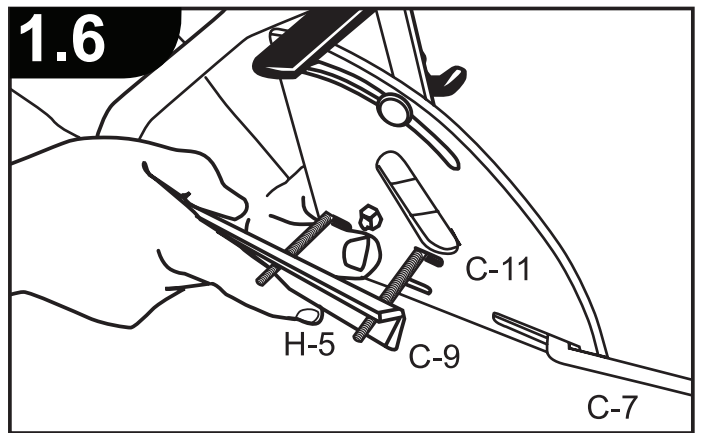
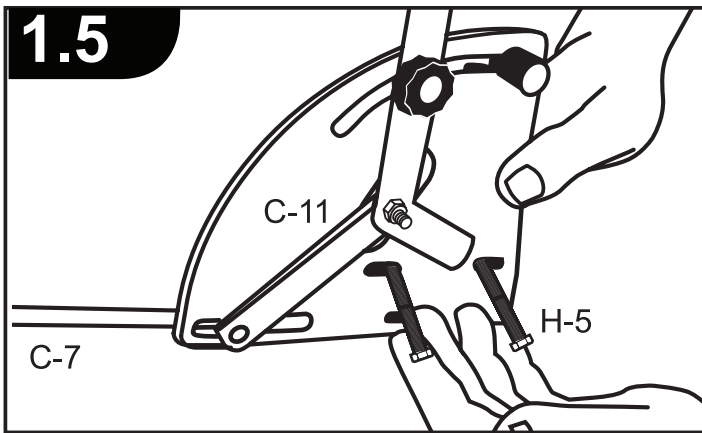
1

Handle Bar and Gate Control Assembly (1.1 - 1.10)

Barre de ma ija y conjunto del control de la compuerta (1.1 - 1.10)

Guide et vanne de dégagement (1.1 à 1.10)





Completed Assembly

Ensamblaje completo

Assemblage terminé

Note: When installing Gate control assembly (1.8), Tighten both screws enough to hold in place for adjustment of gate control later. (Step 3.7 - 3.11)

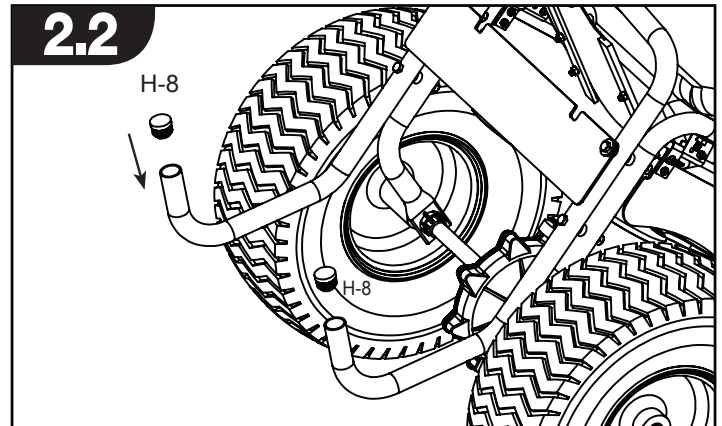
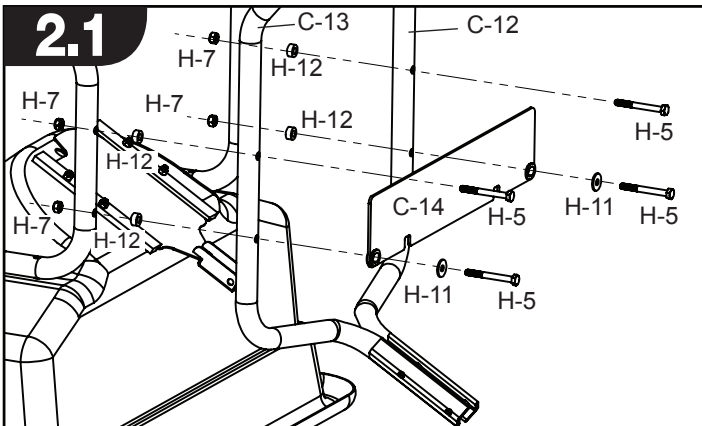
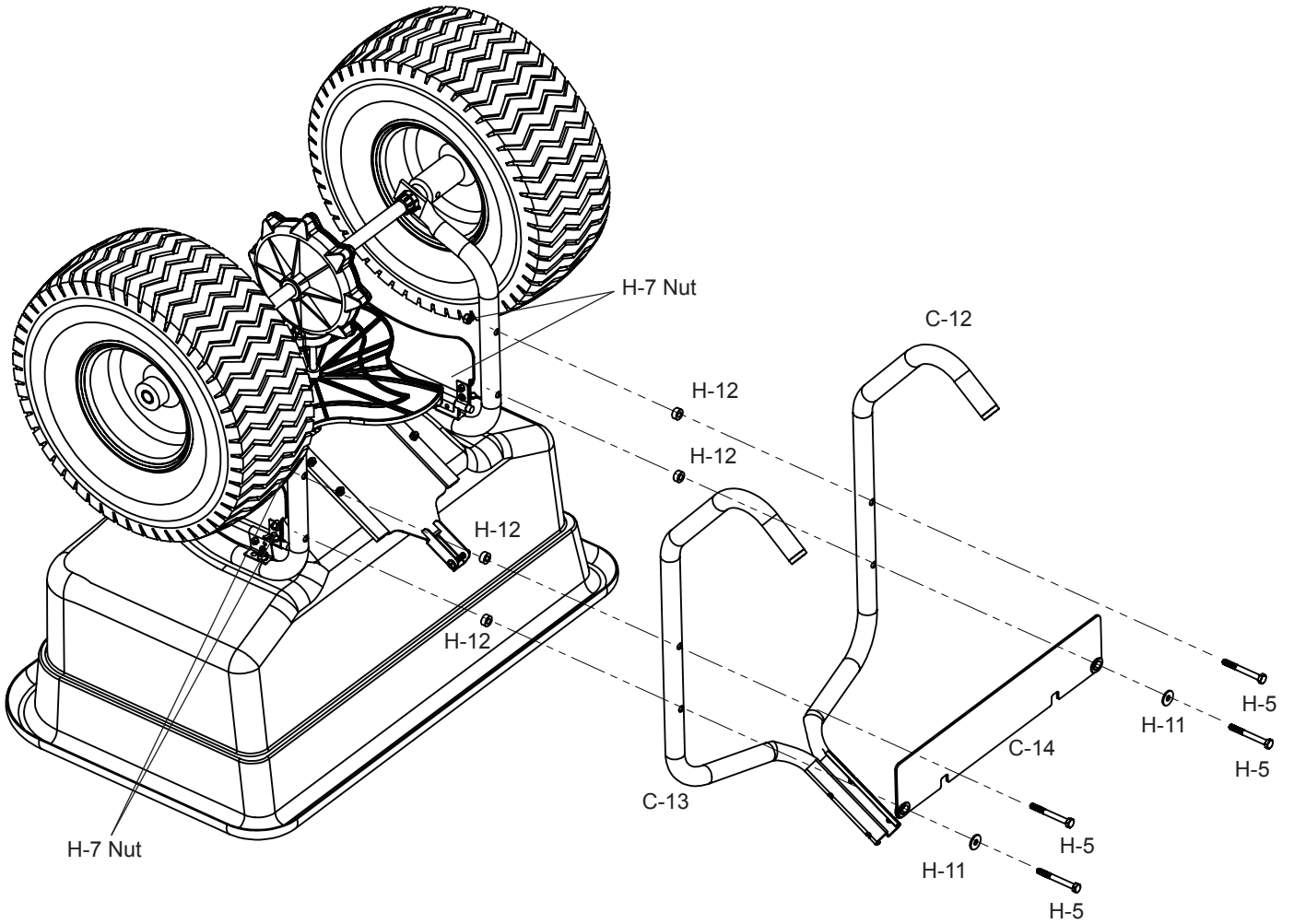
Nota: Al instalar el conjunto de control de la compuerta (1.8), apriete ambos tornillos lo suficiente para sujetarlo en su sitio para ajustar posteriormente el control de la compuerta. (Paso 3.7 - 3.11)

Remarque : Lors de l'installation de la vanne de dégagement (1.8), serrez suffisamment les deux vis pour maintenir cette dernière en place et pouvoir l'ajuster plus tard. (Étape 3.7 à 3.11)

2

Frame Legs to Hopper assembly (2.1 - 2.2)

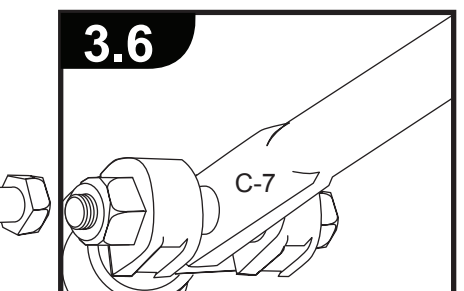
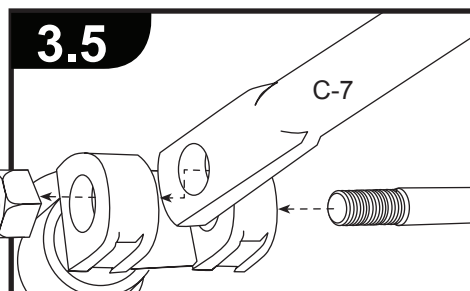
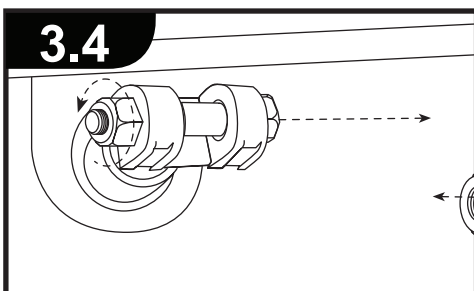
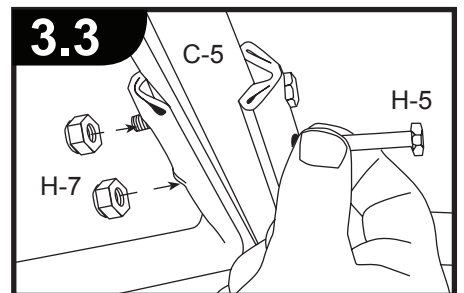
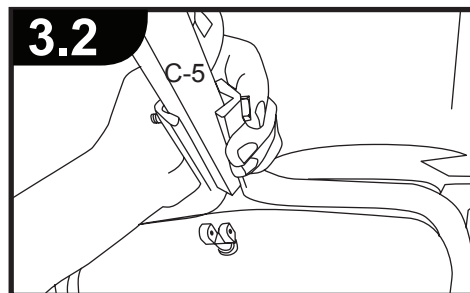
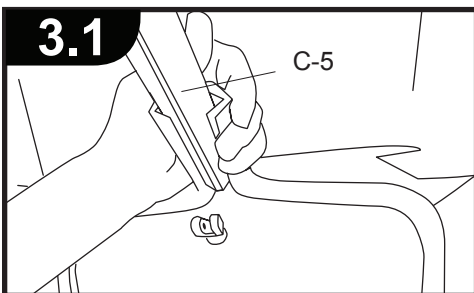
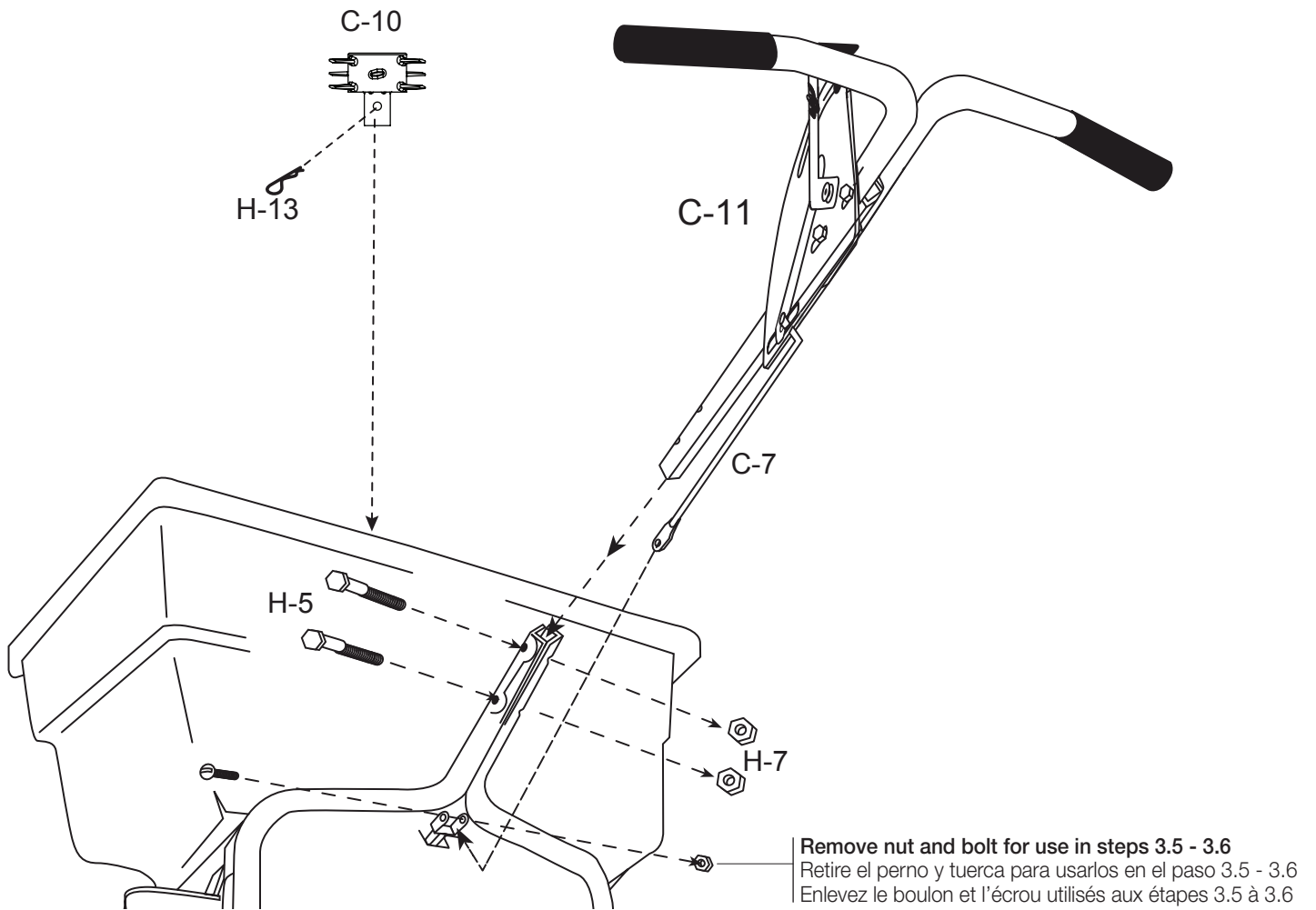
Unión de las patas de la estructura al ensamblaje de la tolva
Montage des pattes à l'ensemble de la trémie



3

Handlebar Assembly to Hopper Frame / Auger Attachment For Sal Spreaders (3.1 - 3.11)

Conjunto de barra de manija al chasis de tolvilla / accesorio de tornillo sin fin para esparcidores de sal
Installation du guidon à l'armature de trémie / Vrille pour épandeurs de sel



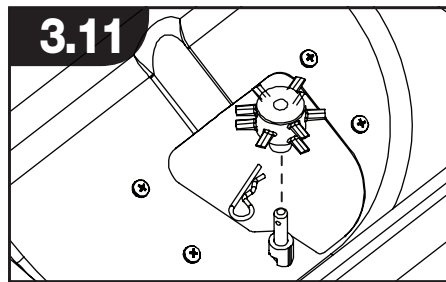
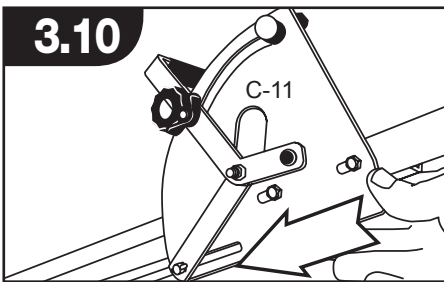
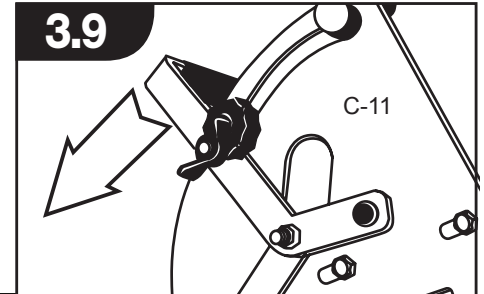
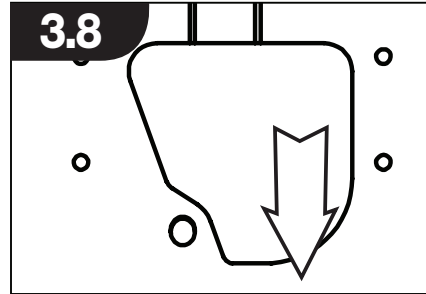
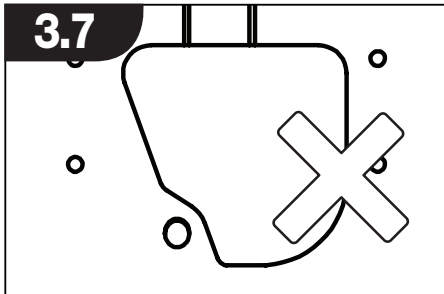
Final Gate Adjustment and Auger Installation (Inside Hopper)

Instalación de ajuste de compuerta y tornillo sin fin (interior de la tolvilla)
Ajustement de la vanne et installation de la vrille (à l'intérieur de la trémie)

Note: Complete steps 3.7 - 3.10 only if gate isn't completely closed when lever is in forward position (as shown in 3.7). Once gate is adjusted, tighten both nuts on Gate Control Assembly (C-11).

Nota: Realice los pasos 3.7 - 3.10 solamente si la compuerta no está completamente cerrada cuando la palanca esté en posición hacia adelante (como se muestra en 3.7). Una vez que la compuerta esté ajustada, apriete ambas tuercas en el conjunto de control de la compuerta (C-11).

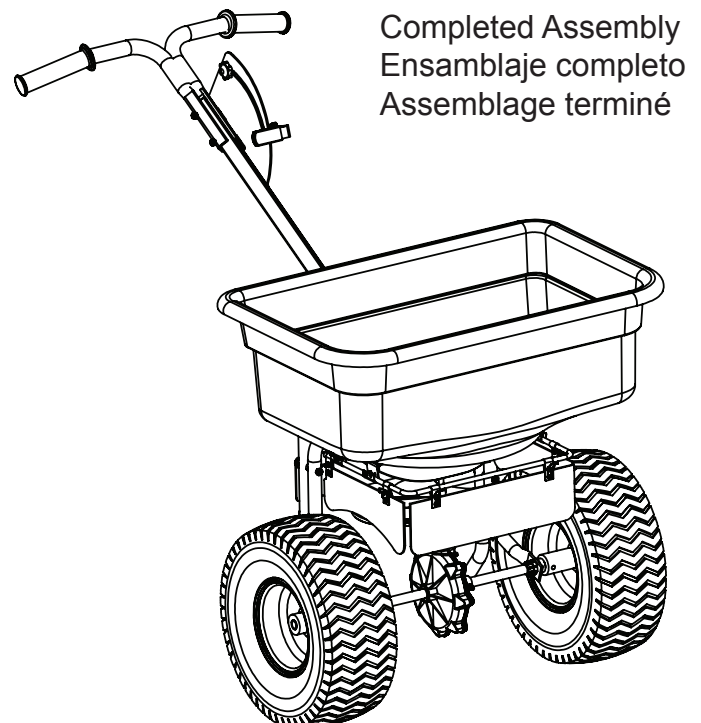
Remarque : Ne suivez les étapes 3.7 à 3.10 que si la vanne n'est pas entièrement fermée lorsque le levier est en position avant (tel que montré à l'étape 3.7). Une fois la vanne ajustée, serrez les deux écrous sur la vanne de dégagement (C-11).



Final Step: After completing gate adjustment, tighten all assemblies before use.

Paso final: Después de completar el ajuste de compuerta, apriete todos los conjuntos antes de usar.

Étape finale : Une fois la vanne ajustée, serrez toutes pièces assemblées avant utilisation.



Replacement Parts / Partes de repuesto / Pièces de rechange

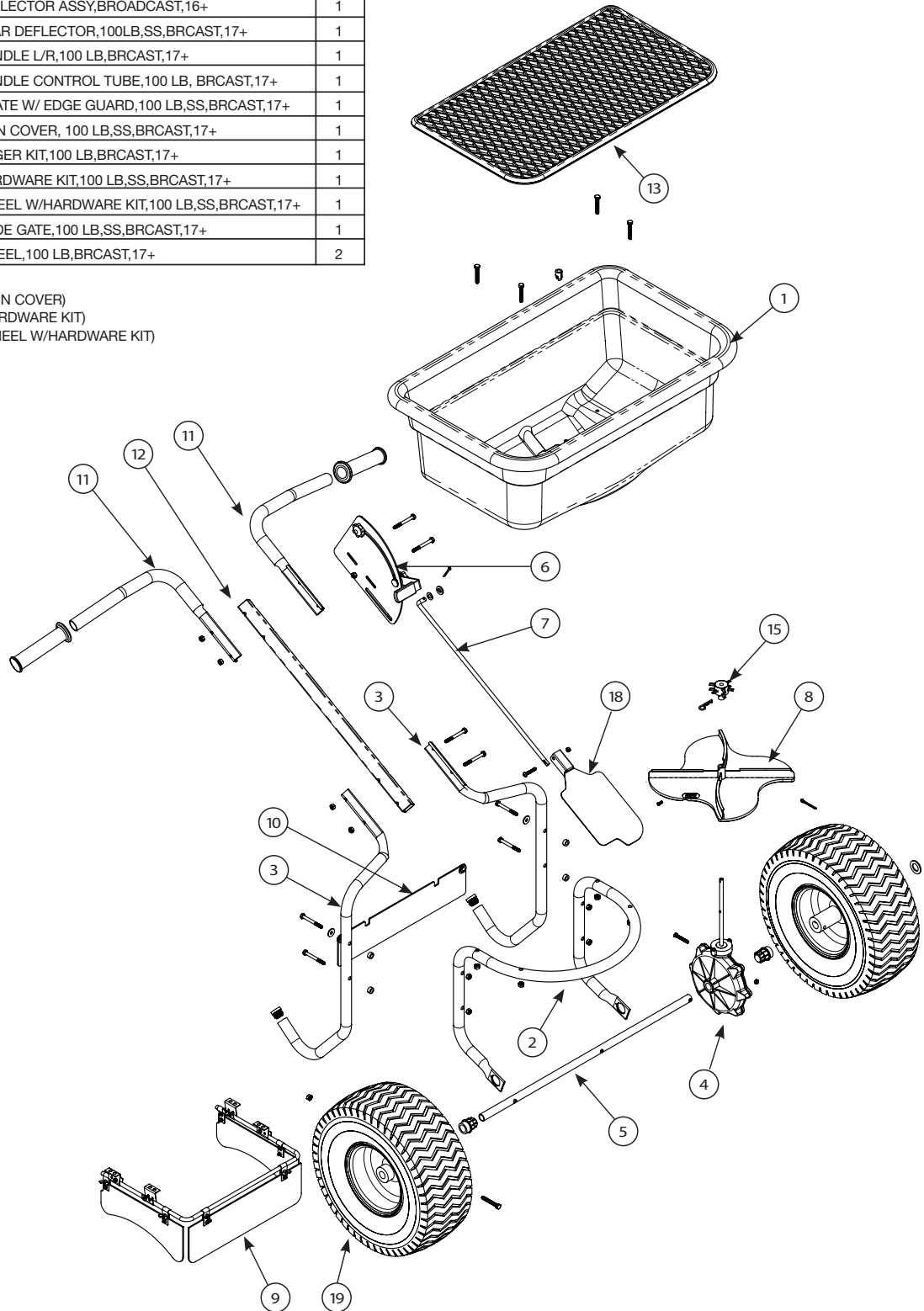
ITEM NO.	BOSS PART NUMBER	DESCRIPTION	QTY.
1	WBS15962	HOPPER, 100 LB, SS, BRCAST, 17+	1
2	WBS15952	HOPPER FRAME, 100 LB, BRCAST, 17+	1
3	WBS15953	FRAME LEG L/R, 100 LB, BRCAST, 17+	1
4	WBS15954	GEARBOX, 100 LB, BRCAST, 17+	1
5	WBS15955	DRIVESHAFT, 100 LB, BRCAST, 17+	1
6	WBS15963	GATE CONTROL, 100 LB, SS, BRCAST, 17+	1
7	WBS15964	GATE LINK ARM, 100 LB, SS, BRCAST, 17+	1
8	WBS15965	SPINNER, 100 LB, SS, BRCAST, 17+	1
9	WBS15868	DEFLECTOR ASSY, BROADCAST, 16+	1
10	WBS15966	REAR DEFLECTOR, 100 LB, SS, BRCAST, 17+	1
11	WBS15958	HANDLE L/R, 100 LB, BRCAST, 17+	1
12	WBS15959	HANDLE CONTROL TUBE, 100 LB, BRCAST, 17+	1
13	WBS15967	GRATE W/ EDGE GUARD, 100 LB, SS, BRCAST, 17+	1
14	WBS15968	RAIN COVER, 100 LB, SS, BRCAST, 17+	1
15	WBS15973	AUGER KIT, 100 LB, BRCAST, 17+	1
16	WBS15969	HARDWARE KIT, 100 LB, SS, BRCAST, 17+	1
17	WBS15970	WHEEL W/HARDWARE KIT, 100 LB, SS, BRCAST, 17+	1
18	WBS15971	SLIDE GATE, 100 LB, SS, BRCAST, 17+	1
19	WBS15972	WHEEL, 100 LB, BRCAST, 17+	2

ITEMS NOT SHOWN

ITEM 14: WBS15968 (RAIN COVER)

ITEM 16: WBS15969 (HARDWARE KIT)

ITEM 17: WBS15970 (WHEEL W/HARDWARE KIT)



APPLICATION CHART / TABLA DE APLICACIÓN / TABLEAU D'APPLICATION

All Season Residential & Professional Push Spreader Application Conversion Chart

Table de conversión para la aplicación profesional y residencial del distribuidor de empuje para toda temporada
 Tableau de conversion d'application pour épandeur à pousser résidentiel et professionnel toute saison

Scotts	2	2.5	3	3.25	3.5	4	4.75	5	5.5	6	7	8	9	10	11	12	13	14	15
BOSS	11	11	12	12	12	12	13	13	13	13	14	14	14	14	14	14	15	15	15

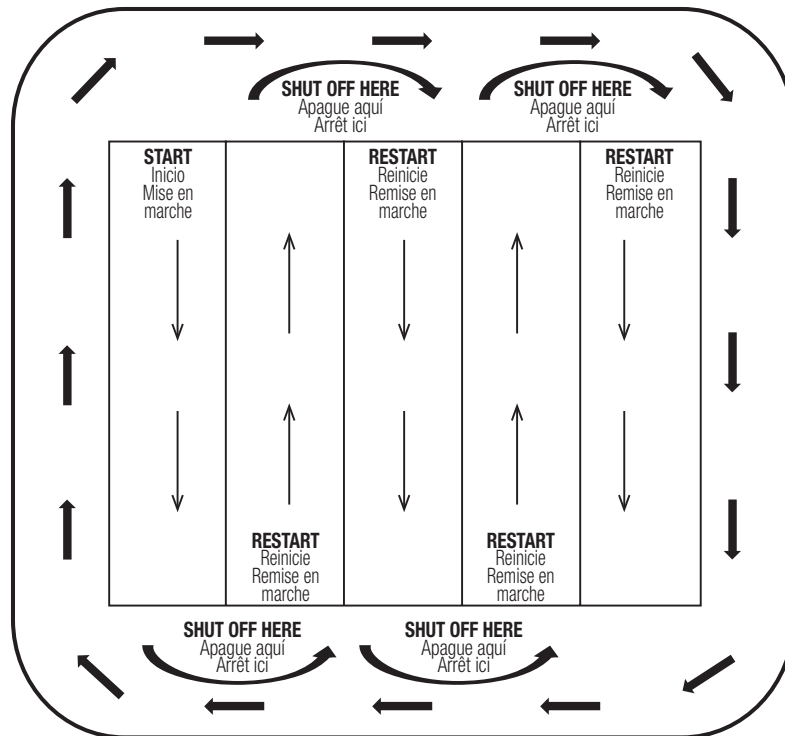
All Season Residential & Professional General Application Guidelines

Aplicación general profesional & residencial para toda temporada directrices
 Directives d'application générale résidentielle et professionnelle toute saison

Weed Control / Contol de hierba / Désherbage	1 - 10
Fertilizer / Fertilizante / Engrais	11 - 12
Grass Seed-Overseeding / Semilla de pasto-Sobresiembra / Graines de graminées-Sursemis	13 - 14
Grass Seed-New lawn / Semilla de pasto-Césped nuevo / Graines de graminées-Nouvelle pelouse	16 - 17
Salt & Ice-Melt / Sal y derretimiento / Sel et produit de déglçage	18 - 20

Sample Spread Pattern

Muestra del patrón de distribución
 Modèle d'épandage type



BOSS Limited Warranty

BOSS Products warrants to the original retail purchaser, that the product will be free from defects in material and workmanship for one year from the original date of purchase from an Authorized BOSS Dealer. If within the warranty period, the product is found to be defective, BOSS Products will repair or replace at its sole option, the defective parts at no charge to the original purchaser. To obtain service under warranty, the original retail purchaser must return the defective product to an Authorized BOSS Dealer (preferably the one from whom the product was purchased). The purchaser must establish the warranty period by verifying the original purchase date. All transportation costs to and from the dealer will be the responsibility of the purchaser.

What is Not Covered:

1. Expendable parts such as pins, nuts bolts, hardware, tires.
2. Repairs made by anyone other than an Authorized BOSS Dealer.
3. Parts which have been subject to misuse or service, negligence, accident, improper installation, maintenance, care or storage.

Warranty Limitations:

THIS WARRANTY IS OFFERED IN LIEU OF ANY OTHER EXPRESS WARRANTY. THE DURATION OF ALL IMPLIED WARRANTIES, INCLUDING BUT NOT LIMITED TO THE IMPLIED WARRANTIES OF MERCHANTABILITY AND FITNESS FOR A PARTICULAR PURPOSE, ARE LIMITED TO THE DURATION OF THIS WARRANTY. BOSS PRODUCTS LIABILITY IS EXPRESSLY LIMITED TO THE REPAIR OF THE SPREADER, INCLUDING LABOR AND REPLACEMENT OF DEFECTIVE PARTS. BOSS PRODUCTS SHALL NOT BE LIABLE FOR ANY CONSEQUENTIAL, INCIDENTAL OR CONTINGENT DAMAGES WHATSOEVER, EVEN IF DAMAGES ARE CAUSED BY BOSS PRODUCTS NEGLIGENCE OR FAULT.

State laws:

Some states do not allow exclusion of incidental or consequential damages or the limitations on how long an implied warranty lasts, so these limitations or exclusions may not apply to you. This warranty gives you specific legal rights and you may also have the other rights which vary from state to state.



For more information please contact BOSS at 800.286.4155 or visit Bossplow.com
BOSS Products 2010 the BOSS way P.O. Box 787 Iron Mountain, MI 49801-0787 | Patents: www.ttcopats.com
BOSS Products, a division of The Toro Company, reserves the right under its product improvement policy to change construction or design details and furnish equipment when so altered without reference to illustrations or specifications used herein.

BOSS
SNOWFLOW