



**A Division of The Toro Company**

P.O.Box 787 Iron Mountain, MI 49801-0787

ISO 9001: 2008 REGISTERED

bossplow.com

**TO: BOSS DEALERS**

**DATE:** 1/10/2019

**SUBJECT:** Plow Control Kits Revised to 'B'

The following is Service Bulletin SV147 from BOSS Snowplow Technical Support. Please make sure this bulletin is distributed to all employees who sell or service BOSS Products. We have distributed this service bulletin to all registered Distributors and Sub-distributors with e-mail addresses.

Thank you,

BOSS Snowplow Technical Support

**REGARDING: Plow Control Kits Revised to 'B'**

As part of our commitment to continuous improvement, BOSS has revised several Truck Plow Control Kits to revision 'B'. This revision change affects vehicle side 13-pin control harnesses (MSC04316), as well as SmartTouch2 Controllers in certain V-Blade and Straight Blade control kits.

The following control kits have changed:

<b><u>Control Kit P/N</u></b>	<b><u>Description</u></b>	<b><u>Change</u></b>
MSC15100B	SmartTouch2 V-Blade	MSC04316 Wiring + MSC09601 Controller
MSC15101B	Joystick V-Blade	MSC04316 Wiring
MSC15102B	Control Kit Wiring Only	MSC04316 Wiring
STB10155B	SmartTouch2 D-Force	MSC04316 Wiring
STB15103B	SmartTouch2 Straight Blade	MSC04316 Wiring + STB09602 Controller
STB15104B	Joystick Straight Blade	MSC04316 Wiring
STB19150B	SmartTouch2 EXT	MSC04316 Wiring

**MSC04316 Vehicle Side Control Harness:**

Previous Control Kits contained a 5-Relay harnesses, MSC08001. To increase corrosion resistance, aid in installation, and improve overall performance, BOSS has changed to a 4-relay harness, MSC04316. This harness is functionally identical to previous versions of MSC04316 used for SmartLight 2 and earlier headlights, but now includes a new sealed relay pack with micro relays, as shown below in Figures 1 and 2.



**Figure 1.**



**Figure 2.**

The MSC04316 harness is a simplified replacement of the MSC08001 harness, removing the 5<sup>th</sup> ‘Dual Burn’ relay. The Dual Burn function (both Hi and Low beam headlights illuminated simultaneously) is built in to the SL3 LED headlights, thus eliminating the need for a 5<sup>th</sup> relay. When installing a Rev B control kit on a vehicle that will be equipped with a plow running SL2 halogen headlights, an MSC08050 Dual Burn Relay Kit will need to be installed to retain the dual burn function.

While the MSC04316 4-relay harness (Figure 4) will function with all BOSS headlight systems, the MSC08001 5-relay harnesses (Figure 3) will continue to be sold as a spare part. MSC04316 uses a different style of relay. The new spare part micro relay is part number MSC03385.

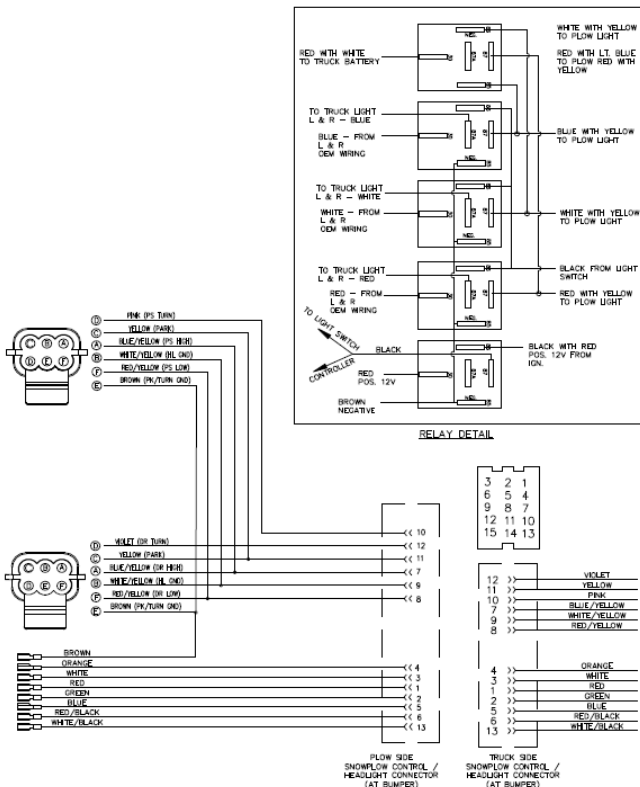


Figure 3.

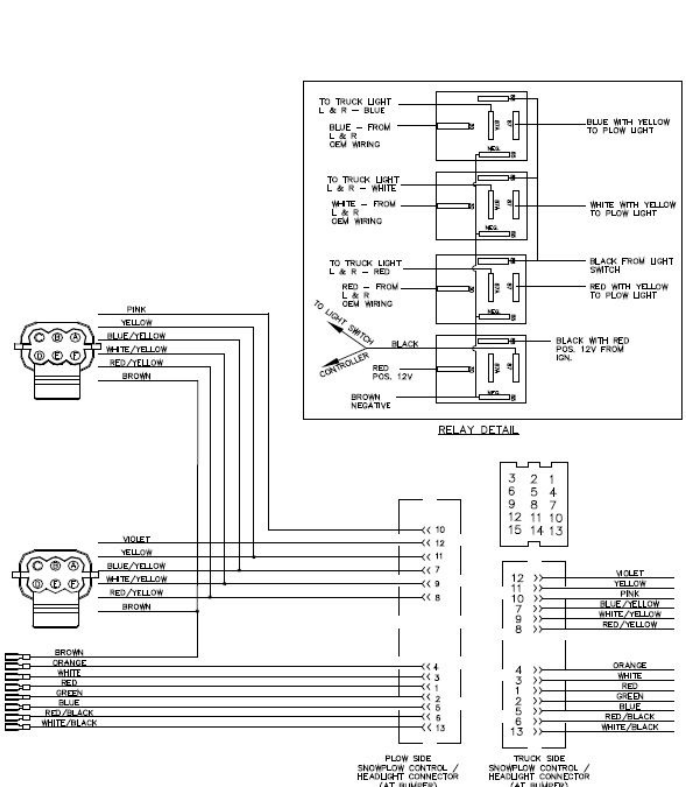


Figure 4.

**MSC09601 and STB09602 Controllers to Rev B:**

SmartTouch2 V-Blade (MSC09601) and Straight-Blade (STB09602) controllers have been improved to address user suggestions related to Express Raise and power unit timeout. The new controller software will allow the user to make changes to the Express Raise mode and extend power unit timeout for HD snowplows.

- Express Raise
  - o Enable Express Raise function
  - o Disable Express Raise function
- HD Mode
  - o Changes pump time-out for various functions
    - Increase power unit time-out during Raise function
    - Increase power unit time-out during Wing Function/Angle function

The revision of the controller can be found on the white Part Number tag located on the 9-pin Molex plug. Controllers with a 'REV B' after the part number will contain the updated software. The following Control Kit serial numbers contain Rev B controllers:

- MSC15100 – Serial Number 401440057 and higher, and all MSC15100B kits
- STB15103 – Serial Number 401430636 and higher, and all STB15103 kits

To set Express Raise:

1. With the controller in the OFF position, press and hold the RAISE button.
2. Continue holding the RAISE button and power on the controller.
3. The controller will begin to flash, alternating RED for 3 seconds, then GREEN for 3 seconds.
4. Release the RAISE button on GREEN to enable the Express Raise function, or release on RED to disable Express Raise.
5. After release, the controller will return to normal operation and will save the setting until it is changed again following steps 1-4 above.

To set HD Mode:

1. With the controller in the OFF position, press and hold the LOWER button.
2. Continue holding the LOWER button and power on the controller.
3. The controller will begin to flash, alternating RED for 3 seconds, then GREEN for 3 seconds.
4. Release the LOWER button on GREEN to enable the Standard mode, or release on RED to enable 10' mode.
5. After release, the controller will return to normal operation and will save the setting until it is changed again following steps 1-4 above.