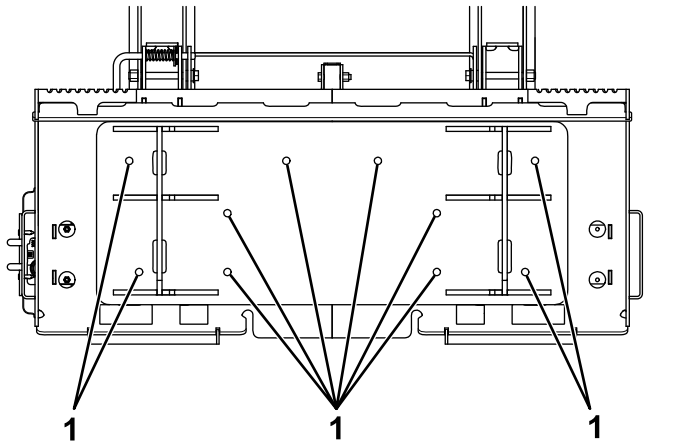


## Installing the Pivot Mount

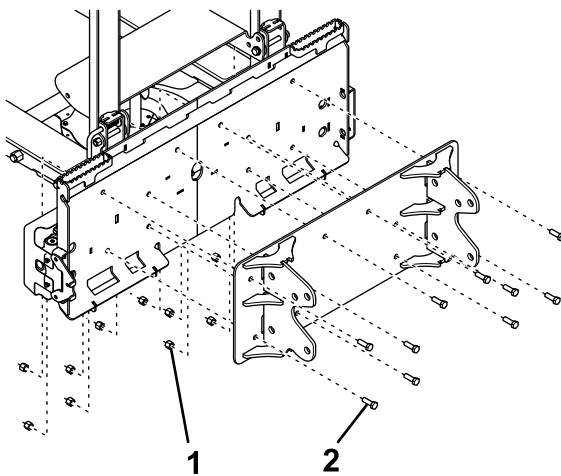
- Center the pivot mount on the spreader frame and align the bottom of the mount with the top of the slots as shown in [Figure 1](#).



**Figure 1**

g271028

- Drill here.
- Using the pivot mount as a guide, drill 10 holes (1/2 inch).
- Secure the faceplate to the spreader frame using 10 bolts (1/2 inch) and nuts ([Figure 2](#)).



**Figure 2**

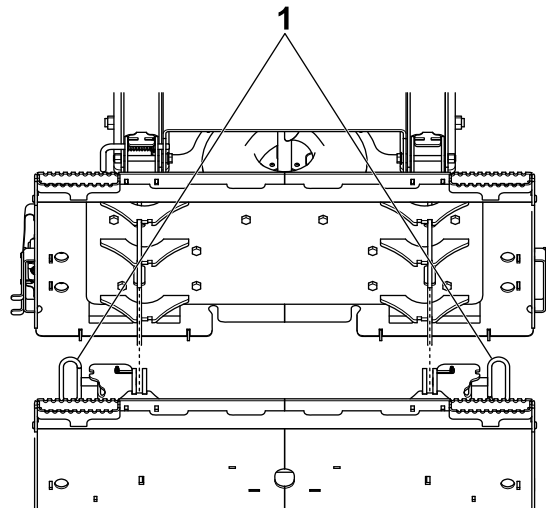
g271029

- Nut (1/2 inch)
- Bolt (1/2 inch)

- Torque the fasteners to 108 N·m (80 ft·lb).

## Mounting the Spreader

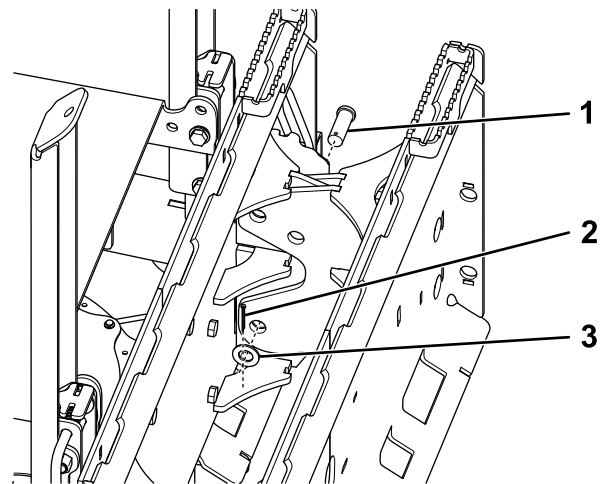
- Pull back the spring pins on the attachment plate ([Figure 3](#)).



**Figure 3**

g271030

- Spring pins
- Secure the bottom of the attachment plate to the pivot mount with a clevis pin, washer, and cotter pin ([Figure 4](#)).



**Figure 4**

g271031

- Clevis pin
- Cotter pin
- Washer



3. Secure the top of the attachment plate to the pivot mount with the spring pins through the desired holes (Figure 5).

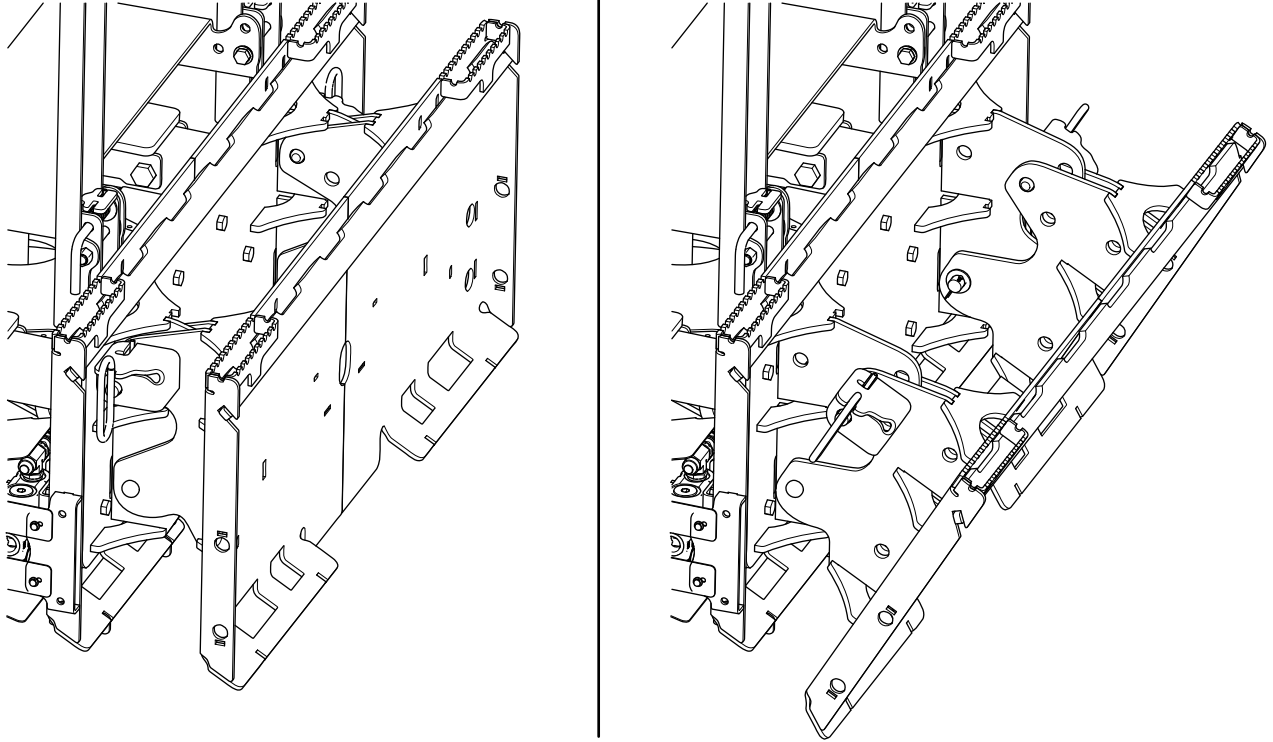


Figure 5

g271032